



宁波赛耐比光电科技有限公司  
NINGBO SNAPPY OPTOELECTRONICS CO., LTD

地址: 浙江省宁波市高新区聚贤街道剑兰路1228号 邮编: 315040  
ADD: No.1228 Jianlan Road, National Hi-tech Park of Ningbo,  
315040, Zhejiang, P.R. China  
电话(TEL): 86-574-2626222 传真(FAX): 86-574-27902805  
E-mail: sales@snappy.cn

www.snappy.cn



## LED Power Supply

The driving force  
behind LED lighting  
solutions



Welcome  
to  
SNAPPY

## Our New Product Lines

---

 **HELENA** Super Slim

---

 **POSEIDON** Waterproof

---

 **HERKULES** Strong

---

 **PROMETHEUS** Regular Human, Vision

---

 **HELIOS** Dimmable

---

 **MARATHON** Long Life

---



## Important

	Federal Communications Commission
	UL mark for Canada and US
	CE mark of conformity
	The transformer complies with European Regulation, in general situation, could mount on or in furniture and cabinet
	Flammable marks
	International mark for independent converter
	International mark for protection II
<b>SELV</b>	International mark for transformers of converters (safety extra-low voltage)
	The surface temperature of the transformer or ballast shall not exceed 110°C under the condition of overload or short circuit.
	C-Tick Compliant
	US and Canada UL approved

## Test standard for electronic control

EN 61347-1	General safety requirements
EN 61347-2-2	Safety requirements for step down converters for filament lamps
EN 61347-2-3	Safety requirements for electronic ballast
EN 61347-2-13	Particular requirements for d.c.or a.c.supplied electronic control gear for LED modules
EN 60929	Performance requirements for electronic ballast
EN 55015	Limits and methods of measurements of radio interference characteristics of lights
EN 61547	EMC immunity requirements for lighting purposes equipment
EN 61000-3-2	Limits for harmonic current emissions
EN 61000-3-3	Limitations of voltage fluctuations and flicker
FCC PART 15	Wireless Access interference measurement standards
UL 8750	LED Equipment for use in lighting products (Class 2)
UL 1310	Class 2 power units
EN 62493-2010	Assessment of lighting equipment related to human Exposure to electromagnetic fields
DoE VI CoC V	Efficiency Standards for External Power Supplies



# Product Overview



## OUTDOOR APPLICATION

### Waterproof LED Power Supply

TUV UL UR RCM KC PSE

Series	Power Range	IP Rating	TUV	UL	UR	RCM	KC	PSE	Page Range	NEW!
SDG Series	100W-320W	IP67	●	●	●				01-02	●
SPG Series	50W-350W	IP65/IP67	●	●	●				03-12	
<small>SPG-A Series 50W-350W                      SPG-UV Series 50W-320W                      SPG-V Series 50W-350W</small>										

## INDOOR APPLICATION

### IP20 LED Power Supply

TUV UL UR RCM KC PSE

Series	Power Range	IP Rating	TUV	UL	UR	RCM	KC	PSE	Page Range	NEW!
SPF Series	24W-150W	IP67	●	●	●				13-16	
DALI2.0 Dimmable Series	8W-240W		●			●			21-29	●
<small>IP67 DALI2.0 Dimmable Series 60W-150W                      DALI2.0 Constant Voltage Dimmable Series 60W-240W                      DALI2.0 Constant Current Dimmable Series 8W-60W</small>										
CASAMBI Series	100W-150W		●			●			30	●
IP20/IP44 Regular & Super Slim Series	8W-320W		●			●			31-60	
<small>IP20 Regular Series 8W-320W                      IP20 Super Slim Series 15W-150W                      IP44 Super Slim Series 15W-100W                      Built-in Connector Series 20W-100W</small>										
Linetype Series	30W-240W		●			●			61-74	●
<small>IP20 Linear Type Series 30-240W                      Push In Clamp Terminal Series 60W-150W                      IP66/IP67 Outdoor Advertising Series 60W-240W</small>										
Dimmable Series	3W-300W		●			●			75-86	
<small>Triac Dimmable Series (Constant Voltage) 10W-300W                      Triac Dimmable Series (Constant Current) 3W-36W</small>										
UL & UE LED Power Supply Series	15W-300W		●	●	●	●		●	87-98	●
<small>UL LED Power Supply Series 15W-75W                      UL Triac Dimmable Series 25W-300W                      UE LED Power Supply Series 30W-150W</small>										
Sensor Series			●			●			99-110	
<small>IR Sensor                      PIR Sensor                      Touch Sensor                      2.4G Remote Controller</small>										



## Waterproof LED Power Supply

### Outdoor SDG-V Series 100W-320W



SDG100-V6  
SDG150-V6  
page 01



**NEW!** SDG200-V6/SDG240-V6  
SDG320-V6  
page 02

### Outdoor SPG Series

#### Outdoor SPG-A Series 50W-350W



SPG50-A/SPG80-A  
page 04



SPG100-A/SPG150-A  
SPG200-A  
page 05



SPG240-A  
page 06



SPG320-A/SPG350-A  
page 06

#### Outdoor SPG-UV Series 50W-320W



SPG50-UV/SPG80-UV  
page 07



SPG100-UV/SPG150-UV  
SPG200-UV  
page 08



SPG240-UV  
page 09



SPG320-UV  
page 09

#### Outdoor SPG-V Series 50W-350W



SPG50-V/SPG80-V  
page 10



SPG100-V/SPG150-V  
page 11



SPG200-V/SPG240-V  
page 12



SPG320-V/SPG350-V  
page 12

### Indoor SPF Series 24W-150W



SPF24-VSP/SPF35-VSP  
SPF60-VSP/SPF100-VSP  
SPF150-VSP  
page 14



**NEW!** SPF60-VSP(UE)  
page 15



**NEW!** SPF100-VSP(UE)  
page 16

## IP20 LED Power Supply

### DALI2.0 Dimmable Series 8W-240W

IP67 DALI2.0 Dimmable Series 60W-150W



SDL60-VFP6/SDL100-VFP6  
SDL150-VFP6  
page 22

DALI2.0 Constant Voltage Dimmable Series 60W-240W



SDL60-VF6/SDL60-VF8  
SDL100-VF6/SDL100-VF8  
page 24



SDL150-VF6/SDL150-VF8  
SDL200-VF/SDL240-VF  
page 25



SDL100-VF-2CH  
SDL150-VF-2CH  
page 26

DALI2.0 Constant Current Dimmable Series 8W-60W



SDN200-VL6/SDN200-VL8  
SDN240-VL6/SDN240-VL8  
page 27



**NEW!** SDS8-IL/SDS15-IL  
SDS26-IL/SDS44-IL  
SDS60-IL  
page 28



**NEW!** SD42-IFWD  
SD42-IFWD(NFC)  
page 29

### CASAMBI Series 100W-150W



SCL100-VF  
SCL150-VF  
page 30

### IP20/IP44 Regular & Super Slim Series 8W-320W

#### IP20 Regular Series 8W-320W



SE8-VL  
page 32



SS/SES20-VL  
SS/SES24-VL  
SS/SES30-VL  
page 33



SS/SES36-VL  
SS/SES40-VL  
SS/SES50-VL  
page 34



SS/SES60-VL  
SS/SES75-VL  
SS/SES100-VL  
SS/SES150-VL  
page 35



SNP200-VL-1  
SNP250-VL-1  
SNP320-VL-1  
page 36



**NEW!** SEA8-VL  
SEA12-VL  
SEA15-VL  
page 37



**NEW!** SEA15-IL  
page 38



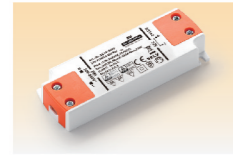
**NEW!** SEA60-VL  
SEA75-VL  
page 39



SEA120-VL  
SEA180-VL  
page 40



IP20 Super Slim Series 15W-150W



SE15-VF/SE20-VF  
SE15-IF/SE20-IF  
page 41



SS/SES20-VF  
SS/SES30-VF  
SS/SES40-VF  
page 42



SS/SES50-VF  
SS/SES60-VF  
SS/SES75-VF  
page 43



SNP100-VF-2  
SNP150-VF-2  
page 44



SNB8-IF  
page 45



SG20-IL  
SG42-IL  
SG60-IL  
page 46

IP44 Super Slim Series 15W-100W



SE15-VFP/SE20-VFP  
page 48



SS/SES30-VFP  
SS/SES40-VFP  
page 49



SS/SES60-VFP  
page 50



SNP75-VFP  
page 51



SNP100-VFP  
page 52



SEA15-VLP  
page 54



SNP30-VMCCT-T  
SNP30-VMCCT-IR  
SNP60-VMCCT-T  
SNP60-VMCCT-IR  
SNP60-12VMCCT-T3  
page 56

Built-in Connector Series 20W-100W



SNP20-VFC-UE  
SNP40-VFC-UE  
SNP50-VFC-UE  
SNP72-VFC-UE  
SNP90-VFC-UE  
page 57



SNP30-VFC/SNP60-VFC  
SNP100-VFC  
page 58



SNS30-VFC  
SNS60-VFC  
SNS100-VFC  
page 59



SL30-VFC(UE)  
SL60-VFC(UE)  
SL100-VFC(UE)  
page 60

Linetype Series 30W-240W  
IP20 Linear type series 30-240W



SL30-VF/SNP45-VF-1  
page 62



SL60-VF-1/SL75-VF  
page 63



SL100-VF-1/SL150-VF-1  
page 64



SNP200-VF-1  
page 65



SL200-VF/SL200-VF-1  
page 65



SL240-VF/SL240-VF-1  
page 66

Push In Clamp Terminal Series 60W-150W



SNP60-VFB-1  
page 68



SNP60-VFD-1  
page 68



SNP100-VFB-1  
page 69



SNP100-VFD-1  
page 69



SNP150-VFB-1  
page 70



SNP150-VFD-1  
page 70

Outdoor Advertising Series 60W-240W



SLP60-VFP(UE)  
page 72



SLP100-VFP(UE)  
page 72



SNP60-VFP-1  
SNP100-VFP-1  
page 73



SNP150-VFP-1  
SNP200-VFP-1  
SNP240-VFP-1  
page 74

## Dimmable Series 3W-300W

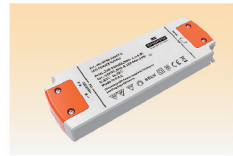
Triac Dimmable Series (Constant Voltage) 10W-300W



SP10-VFT **NEW!**  
page 77



SP30-VFT-1  
SP36-VFT-1  
page 77



SP50-VFT-1  
page 78



SP75-VLT  
page 78



SP100-VLT/SP150-VLT  
page 79

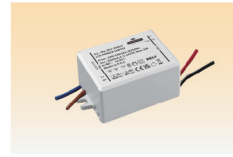


SP200-VLT **NEW!**  
SP300-VLT  
page 80



SL75-VFT/SL100-VFT **NEW!**  
SL150-VFT  
page 81

Triac Dimmable Series (Constant Current) 3W-36W



SP3-ILT/SP7-ILT **NEW!**  
page 82



SP10-ILT-1/SP15-ILT  
page 83



SP18-ILT  
page 84



SP24-ILT  
page 84



SP36-ILT  
page 85



SNC10-ILT **NEW!**  
page 86

## UL & UE LED Power Supply Series 15W-300W

UL LED Power Supply Series 15W-75W



SE15-VF(UL)  
SE20-VF(UL)  
page 88



SE30-VF(UL)  
SE50-VF(UL)  
page 89

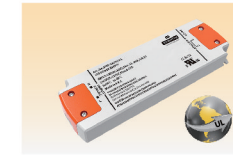


SE75-VF(UL) **NEW!**  
page 90

## UL Triac Dimmable Series 25W-300W



SNP25-VFT(UL) **NEW!**  
SNP30-VFT(UL)  
page 91



SP60-VFT(UL) **NEW!**  
SP80-VFT(UL)  
page 92



SD96-VLP(UE) **NEW!**  
SD200-VLP(UE)  
SD300-VLP(UE)  
page 93

## UE LED Power Supply Series 30W-150W



SNP60-VF-1(UL)  
page 94



SL100-VF(UE)  
page 95



SL150-VF(UE)  
page 95



SNP30-VF(UE)  
SNP40-VF(UE)  
page 96



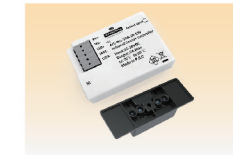
SNP60-VF(UE)  
page 97



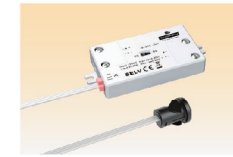
SNP75-VL(UE)  
page 98

## Sensor Series

IR Sensor & PIR Sensor



SOA-IR-CW+S107  
page 101



SOA-IR  
page 102



SIK-IR  
page 103



SIM-IR  
page 104



SOL-PIR  
page 105

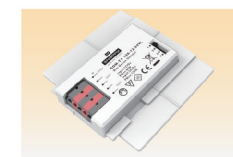


SIL-PIR  
page 106

Touch Sensor & 2.4G Remote Controller



SOM-T/SOM-TB  
page 107



SOM-T1 / SOM-T2W **NEW!**  
page 108



SRC-2.4G01  
page 109



SNP75-2.4G  
page 110



# Outdoor Series



## OUTDOOR APPLICATION

- Outdoor SDG Series
- Outdoor SPG Series



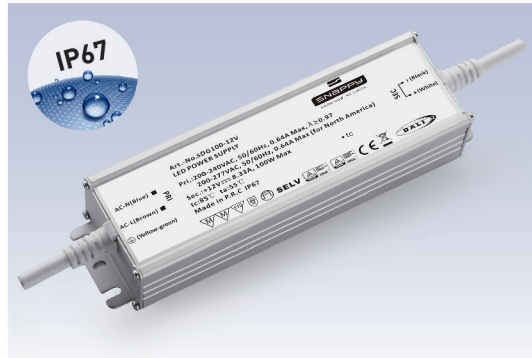
**POSEIDON**  
Waterproof



**HERKULES**  
Strong



## SDG100-V6/SDG150-V6



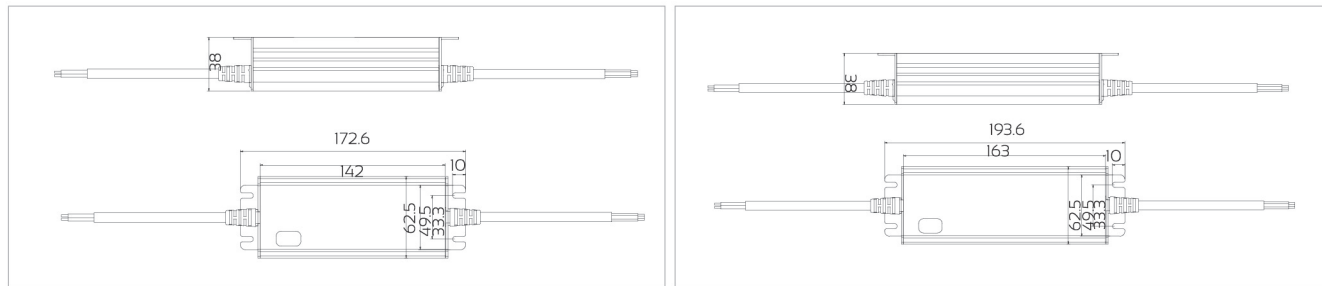
### Reliable Technical Data

- Input Voltage Range:200-277VAC
- IP67 design for indoor or outdoor installation
- Protections:short circuit/over load/over voltage/over temperature
- Built in active PFC function
- Cooling by free air, high reliability
- 100% burn-in with full load
- Suitable for LED lighting and moving sign applications
- Compliance to worldwide safety regulation for LED lightings
- 5 years warranty

- Safety standards to EN61347-1, EN61347-2-13, UL8750
- Withstand voltage to I/P: -O/P: 5.3KV DC 1 minute
- Isolation resistance to I/P: -O/P, I/P-FG: 50M Ohm / 500VDC / 25°C / 70%RH
- EMC emission to EN55015
- EMC immunity to EN61000-4-2, 3, 4, 5, 6, 8, 11; EN55024; EN61547
- Harmonic current to EN61000-3-2 CLASS C (100% load)
- DALI 2 IEC62386



### Dimension in mm



### Characteristics

Input Voltage Range: AC200-277V 50/60Hz (power factor measured at AC230V and full load)

Model No.	Constant output voltage	Load	Max output current	PF	Ta	Tc	L x W x H	IP
SDG100-12V6	12V	0-100W	8.33A	≥0.97	55°C	85°C	173x63x38	IP67
SDG100-24V6	24V	0-100W	4.17A	≥0.97	55°C	85°C	173x63x38	IP67
SDG100-48V6	48V	0-100W	2.08A	≥0.97	60°C	90°C	173x63x38	IP67
SDG150-12V6	12V	0-150W	12.5A	≥0.98	60°C	90°C	193.6x62.5x38	IP67
SDG150-24V6	24V	0-150W	6.25A	≥0.98	60°C	90°C	193.6x62.5x38	IP67
SDG150-48V6	48V	0-150W	3.125A	≥0.98	60°C	90°C	193.6x62.5x38	IP67



## SDG200-V6/SDG240-V6 SDG320-V6



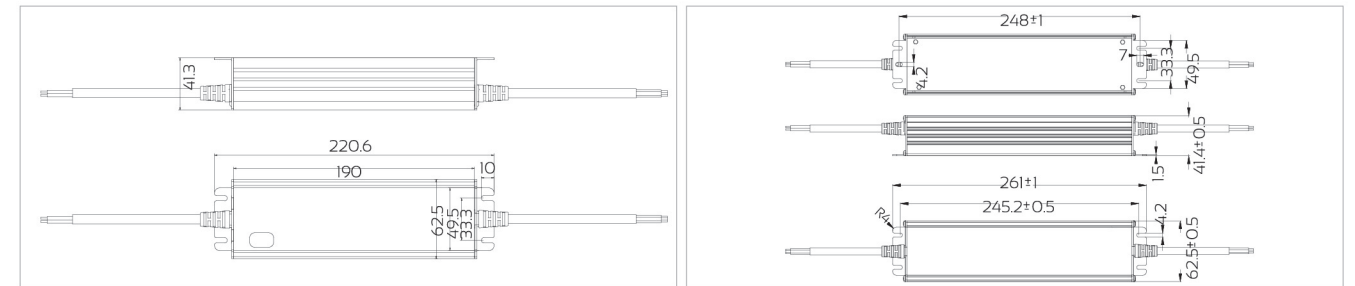
### Reliable Technical Data

- Input Voltage Range:200-277 VAC
- IP67 design for indoor or outdoor installation
- Protections:short circuit/over load/over voltage/over temperature
- Built in active PFC function
- Cooling by free air, high reliability
- 100% burn-in with full load
- Suitable for LED lighting and moving sign applications
- Compliance to worldwide safety regulation for LED lightings
- 5 years warranty

- Safety standards to EN61347-1, EN61347-2-13, UL8750
- Withstand voltage to I/P: -O/P: 5.3KV DC 1 minute
- Isolation resistance to I/P: -O/P, I/P-FG: 50M Ohm / 500VDC / 25°C / 70%RH
- EMC emission to EN55015
- EMC immunity to EN61000-4-2, 3, 4, 5, 6, 8, 11; EN55024; EN61547
- Harmonic current to EN61000-3-2 CLASS C (100% load)
- DALI 2 IEC62386



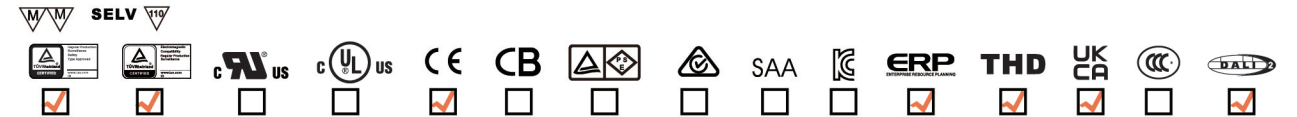
### Dimension in mm



### Characteristics

Input Voltage Range: AC200-277V 50/60Hz (power factor measured at AC230V and full load)

Model No.	Constant output voltage	Load	Max output current	PF	Ta	Tc	L x W x H	IP
SDG200-12V6	12V	0-192W	16A	≥0.95	50°C	90°C	220.6x62.5x38	IP67
SDG200-24V6	24V	0-200W	8.3A	≥0.95	50°C	90°C	220.6x62.5x38	IP67
SDG240-12V6	12V	0-216W	18A	≥0.98	55°C	90°C	220.6x62.5x41.3	IP67
SDG240-24V6	24V	0-240W	10A	≥0.98	55°C	90°C	220.6x62.5x41.3	IP67
SDG320-12V6	12V	0-290W	24.16A	≥0.98	55°C	90°C	261x62.5x41.4	IP67
SDG320-24V6	24V	0-320W	13.3A	≥0.98	55°C	90°C	261x62.5x41.4	IP67





# Outdoor SPG Series

- Outdoor SPG-A Series
- Outdoor SPG-UV Series
- Outdoor SPG-V Series



LED drivers with metal case for outdoor LED lighting  
Open Circuit; Short Circuit; Over Load, Over Heat Protection

## SPG50-A/SPG80-A



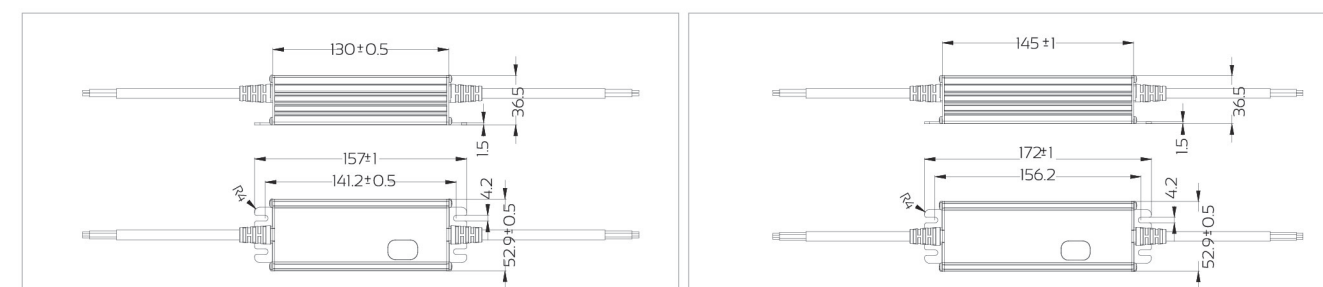
### Reliable Technical Data

- Input Voltage Range: 100-277VAC
- IP65 design for indoor or outdoor installation
- Protections: short circuit/over load/over voltage/over temperature
- Built in active PFC function
- Cooling by free air, high reliability
- 100% burn-in with full load
- Suitable for LED lighting and moving sign applications
- A series: Output current and voltage is adjustable, IP65
- Compliance to worldwide safety regulation for LED lightings
- 5 years warranty

- Safety standards to EN61347-1, EN61347-2-13, UL8750
- Withstand voltage to I/P: -0/P: 5.3KV DC 1 minute
- Isolation resistance to I/P: -0/P, I/P-FG: 50M Ohm / 500VDC / 25°C / 70%RH
- EMC emission to EN55015, FCC PART15 ClassB
- EMC immunity to EN61000-4-2, 3, 4, 5, 6, 8, 11; EN55024; EN61547
- Harmonic current to EN61000-3-2 CLASS C (100% load)



### Dimension in mm



### Characteristics

Input Voltage Range: AC100-277V 50/60Hz [power factor measured at AC230V and full load]

Model No.	Constant output voltage	Load	Max output current	PF	Ta	Tc	L x W x H	IP
SPG50-12A	12V	0-50W	4.17A	≥0.96	60°C	85°C	157x52.9x36.5	IP65
SPG50-24A	24V	0-50W	2.08A	≥0.96	60°C	85°C	157x52.9x36.5	IP65
SPG80-12A	12V	0-75W/0-80W	6.25A/6.67A	≥0.97	55°C	90°C	172x52.9x36.5	IP65
SPG80-24A	24V	0-75W/0-80W	3.125A/3.33A	≥0.97	55°C	90°C	172x52.9x36.5	IP65

0-75W 6.25A/3.125A 100-200VAC  
 0-80W 6.67A/3.33A 200-240VAC, 277VAC



## SPG100-A/SPG150-A/SPG200-A



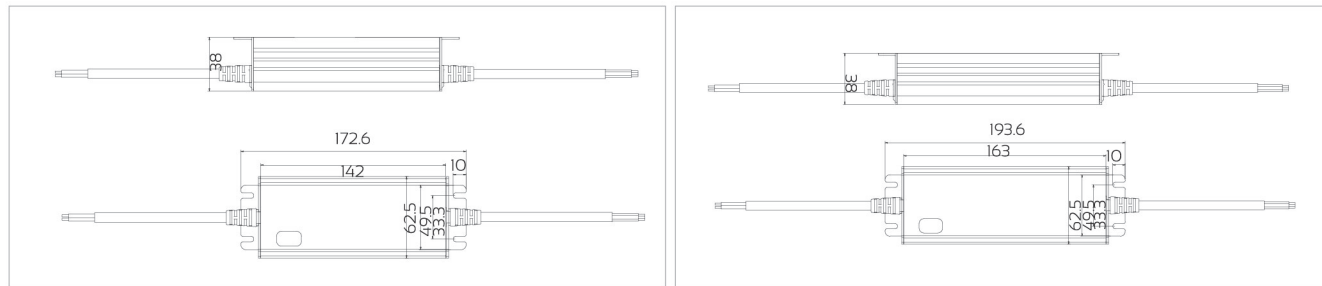
### Reliable Technical Data

- Input Voltage Range: 110-277VAC
- IP65 design for indoor or outdoor installation
- Protections: short circuit/over load/over voltage/over temperature
- Built in active PFC function
- Cooling by free air, high reliability
- 100% burn-in with full load
- Suitable for LED lighting and moving sign applications
- A series: Output current and voltage is adjustable, IP65
- Compliance to worldwide safety regulation for LED lightings
- 5 years warranty

- Safety standards to EN61347-1, EN61347-2-13, UL8750
- Withstand voltage to I/P: -O/P: 5.3KV DC 1 minute
- Isolation resistance to I/P: -O/P, I/P-FG: 50M Ohm / 500VDC / 25°C / 70%RH
- EMC emission to EN55015, FCC PART15 ClassB
- EMC immunity to EN61000-4-2, 3, 4, 5, 6, 8, 11; EN55024; EN61547
- Harmonic current to EN61000-3-2 CLASS C (100% load)



### Dimension in mm



- |                           |                           |
|---------------------------|---------------------------|
| <b>SPG100-A/SPG150-A</b>  | <b>SPG200-A</b>           |
| - 50°C 110-200VAC         | - 40°C 110-200VAC         |
| - 60°C 200-240VAC, 277VAC | - 50°C 200-240VAC, 277VAC |

### Characteristics

Input Voltage Range: AC110-277V 50/60Hz (power factor measured at AC230V and full load)

Model No.	Constant output voltage	Load	Max output current	PF	Ta	Tc	L x W x H	IP
SPG100-12A	12V	0-100W	8.33A	≥0.97	50°C/60°C	90°C	172.6x62.5x38	IP65
SPG100-24A	24V	0-100W	4.17A	≥0.97	50°C/60°C	90°C	172.6x62.5x38	IP65
SPG150-12A	12V	0-150W	12.5A	≥0.98	50°C/60°C	90°C	193.6x62.5x38	IP65
SPG150-24A	24V	0-150W	6.25A	≥0.98	50°C/60°C	90°C	193.6x62.5x38	IP65
SPG200-12A	12V	0-192W	16A	≥0.98	40°C/50°C	90°C	220.6x62.5x38	IP65
SPG200-24A	24V	0-200W	8.33A	≥0.98	40°C/50°C	90°C	220.6x62.5x38	IP65

## SPG240-A



### Reliable Technical Data

- Input Voltage Range: 110-277VAC
- IP65 design for indoor or outdoor installation
- Protections: short circuit/over load/over voltage/over temperature
- Built in active PFC function
- Cooling by free air, high reliability
- 100% burn-in with full load
- Suitable for LED lighting and moving sign applications
- A series: Output current and voltage is adjustable, IP65
- Compliance to worldwide safety regulation for LED lightings
- 5 years warranty

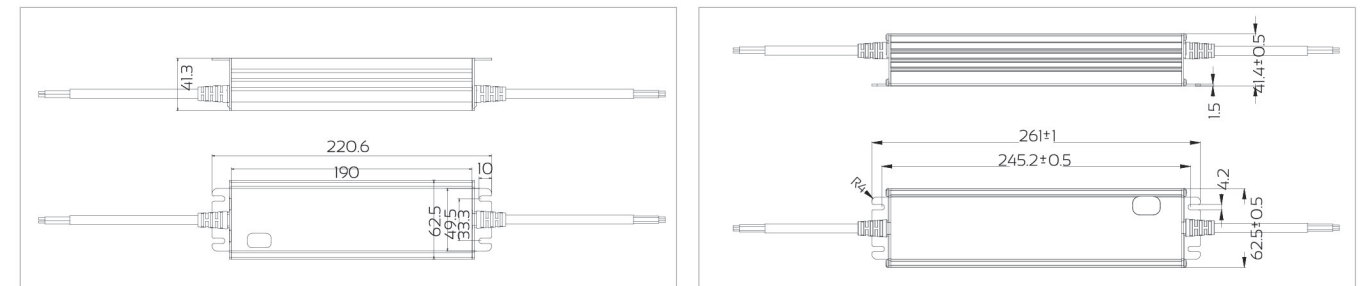
## SPG320-A/SPG350-A



- Safety standards to EN61347-1, EN61347-2-13, UL8750
- Withstand voltage to I/P: -O/P: 5.3KV DC 1 minute
- Isolation resistance to I/P: -O/P, I/P-FG: 50M Ohm / 500VDC / 25°C / 70%RH
- EMC emission to EN55015, FCC PART15 ClassB
- EMC immunity to EN61000-4-2, 3, 4, 5, 6, 8, 11; EN55024; EN61547
- Harmonic current to EN61000-3-2 CLASS C (100% load)



### Dimension in mm

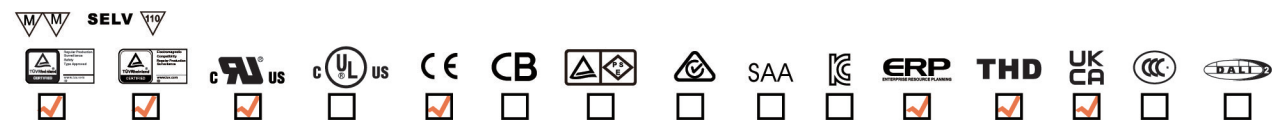


- |                           |                           |
|---------------------------|---------------------------|
| <b>SPG240-A/SPG320-A</b>  | <b>SPG350-A</b>           |
| - 40°C 110-200VAC         | - 40°C 110-200VAC         |
| - 50°C 220-240VAC, 277VAC | - 50°C 220-240VAC, 277VAC |

### Characteristics

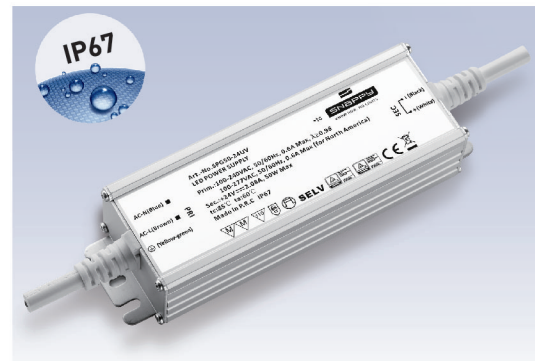
Input Voltage Range: AC110-277V 50/60Hz (power factor measured at AC230V and full load)

Model No.	Constant output voltage	Load	Max output current	PF	Ta	Tc	L x W x H	IP
SPG240-12A	12V	0-216W	18A	≥0.98	40°C/50°C	90°C	220.6x62.5x41.3	IP65
SPG240-24A	24V	0-240W	10A	≥0.98	40°C/50°C	90°C	220.6x62.5x41.3	IP65
SPG320-12A	12V	0-264W	22A	≥0.98	40°C/50°C	90°C	261x62.5x41.4	IP65
SPG320-24A	24V	0-300W 110-200VAC 0-320W 200-240VAC	12.5/13.3A	≥0.98	40°C/50°C	90°C	261x62.5x41.4	IP65
SPG350-12A	12V	0-300W	25A	≥0.98	50°C	80°C	261x62.5x41.4	IP65
SPG350-24A	24V	0-350W	14.58A	≥0.98	50°C	80°C	261x62.5x41.4	IP65





## SPG50-UV/SPG80-UV



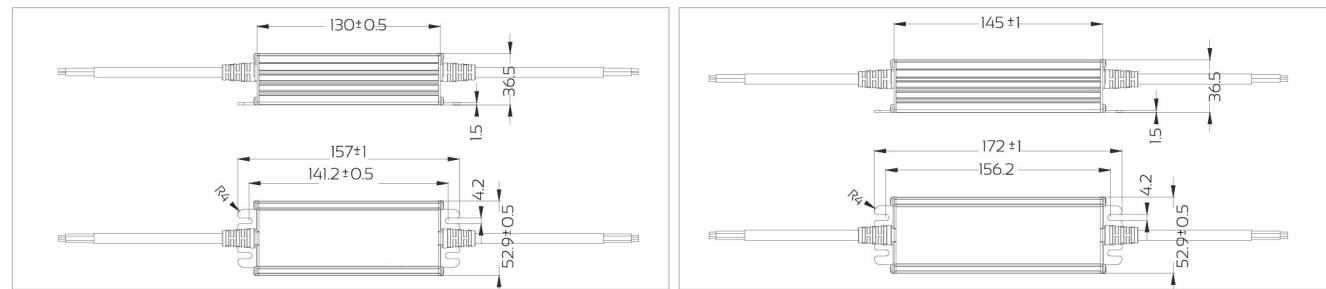
### Reliable Technical Data

- Input Voltage Range:100-277 VAC
- IP67 design for indoor or outdoor installation
- Protections:short circuit/over load/over voltage/over temperature
- Built in active PFC function
- Cooling by free air, high reliability
- 100% burn-in with full load
- Suitable for LED lighting and moving sign applications
- Compliance to worldwide safety regulation for LED lightings
- 5 years warranty

- Safety standards to EN61347-1, EN61347-2-13, UL8750
- Withstand voltage to I/P: -O/P: 5.3KV DC 1 minute
- Isolation resistance to I/P: -O/P, I/P-FG: 50M Ohm / 500VDC / 25°C / 70%RH
- EMC emission to EN55015, FCC PART15 ClassB
- EMC immunity to EN61000-4-2、 3、 4、 5、 6、 8、 11; EN55024; EN61547
- Harmonic current to EN61000-3-2 CLASS C (100% load)



### Dimension in mm

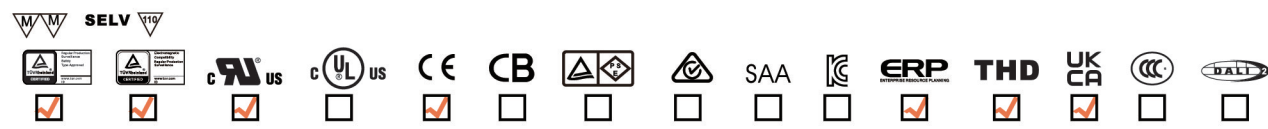


### Characteristics

Input Voltage Range: AC100-277V 50/60Hz (power factor measured at AC230V and full load)

Model No.	Constant output voltage	Load	Max output current	PF	Ta	Tc	L x W x H	IP
SPG50-12UV	12V	0-50W	4.17A	≥0.96	60°C	85°C	157x52.9x36.5	IP67
SPG50-24UV	24V	0-50W	2.08A	≥0.96	60°C	85°C	157x52.9x36.5	IP67
SPG80-12UV	12V	0-75W/0-80W	6.25A/6.67A	≥0.97	55°C	90°C	172x52.9x36.5	IP67
SPG80-24UV	24V	0-75W/0-80W	3.125A/3.33A	≥0.97	55°C	90°C	172x52.9x36.5	IP67

0-75W 6.25A/3.125A 100-200VAC  
0-80W 6.67A/3.33A 200-240VAC, 277VAC



## SPG100-UV/SPG150-UV/SPG200-UV



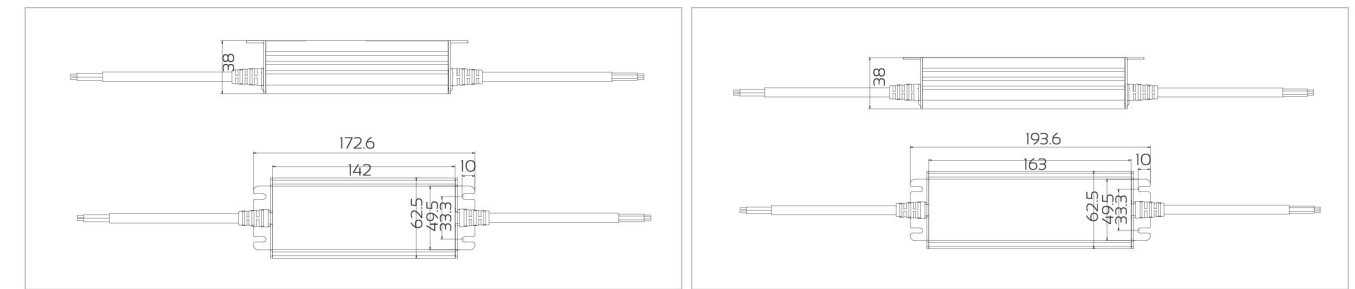
### Reliable Technical Data

- Input Voltage Range:100-277 VAC
- IP67 design for indoor or outdoor installation
- Protections:short circuit/over load/over voltage/over temperature
- Built in active PFC function
- Cooling by free air, high reliability
- 100% burn-in with full load
- Suitable for LED lighting and moving sign applications
- Compliance to worldwide safety regulation for LED lightings
- 5 years warranty

- Safety standards to EN61347-1, EN61347-2-13, UL8750
- Withstand voltage to I/P: -O/P: 5.3KV DC 1 minute
- Isolation resistance to I/P: -O/P, I/P-FG: 50M Ohm / 500VDC / 25°C / 70%RH
- EMC emission to EN55015, FCC PART15 ClassB
- EMC immunity to EN61000-4-2、 3、 4、 5、 6、 8、 11; EN55024; EN61547
- Harmonic current to EN61000-3-2 CLASS C (100% load)



### Dimension in mm



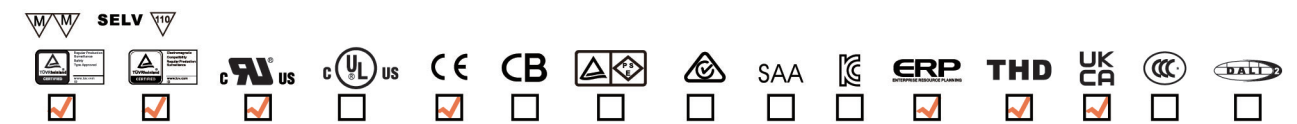
### Characteristics

Input Voltage Range: AC100-277V 50/60Hz (power factor measured at AC230V and full load)

Model No.	Constant output voltage	Load	Max output current	PF	Ta	Tc	L x W x H	IP
SPG100-12UV	12V	0-100W	8.33A	≥0.97	60°C	90°C	172.6x62.5x38	IP67
SPG100-24UV	24V	0-100W	4.17A	≥0.97	60°C	90°C	172.6x62.5x38	IP67
SPG150-12UV	12V	0-150W	12.5A	≥0.98	50°C/60°C	90°C	193.6x62.5x38	IP67
SPG150-24UV	24V	0-150W	6.25A	≥0.98	50°C/60°C	90°C	193.6x62.5x38	IP67
SPG200-12UV	12V	0-192W	16A	≥0.98	50°C/60°C	90°C	220.6x62.5x38	IP67
SPG200-24UV	24V	0-200W	8.3A	≥0.98	50°C/60°C	90°C	220.6x62.5x38	IP67

### SPG150-UV/SPG200-UV

- 50°C 110-200VAC
- 60°C 200-240VAC



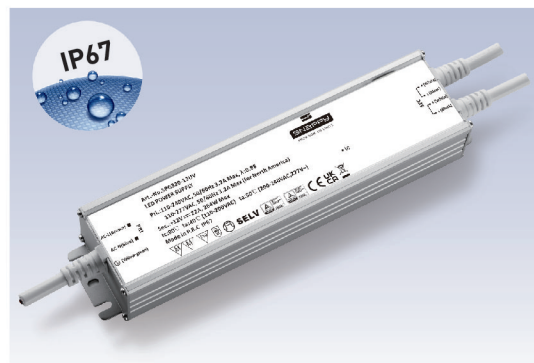
## SPG240-UV



### Reliable Technical Data

- Input Voltage Range:100-277 VAC
- IP67 design for indoor or outdoor installation
- Protections:short circuit/over load/over voltage/over temperature
- Built in active PFC function
- Cooling by free air, high reliability
- 100% burn-in with full load
- Suitable for LED lighting and moving sign applications
- Compliance to worldwide safety regulation for LED lightings
- 5 years warranty

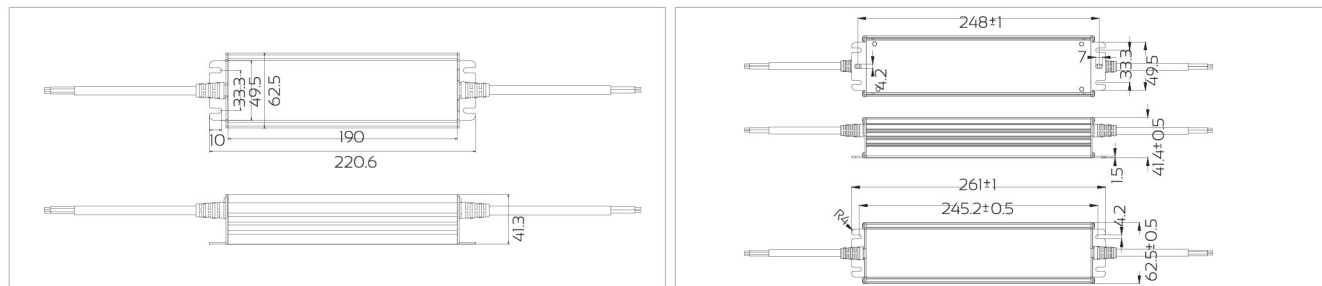
## SPG320-UV



- Safety standards to EN61347-1, EN61347-2-13, UL8750
- Withstand voltage to I/P: -O/P: 5.3KV DC 1 minute
- Isolation resistance to I/P: -O/P, I/P-FG: 50M Ohm / 500VDC / 25°C / 70%RH
- EMC emission to EN55015, FCC PART15 ClassB
- EMC immunity to EN61000-4-2, 3, 4, 5, 6, 8, 11; EN55024; EN61547
- Harmonic current to EN61000-3-2 CLASS C (100% load)



### Dimension in mm

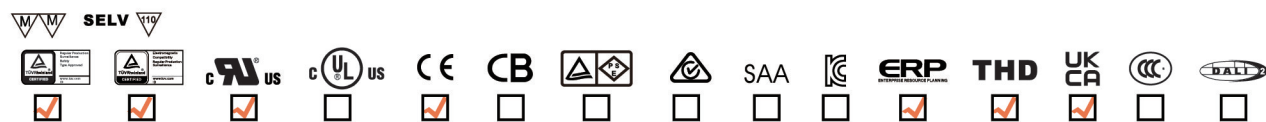


- |                           |                           |
|---------------------------|---------------------------|
| <b>SPG240-UV</b>          | <b>SPG320-UV</b>          |
| — 45°C 100-200VAC         | — 45°C 120-200VAC         |
| — 55°C 200-240VAC, 277VAC | — 55°C 200-240VAC, 277VAC |

### Characteristics

Input Voltage Range: AC100-277V 50/60Hz (power factor measured at AC230V and full load)

Model No.	Constant output voltage	Load	Max output current	PF	Ta	Tc	L x W x H	IP
SPG240-12UV	12V	0-216W	18A	≥0.98	45°C/50°C	90°C	220.6x62.5x41.3	IP67
SPG240-24UV	24V	0-240W	10A	≥0.98	45°C/50°C	90°C	220.6x62.5x41.3	IP67
SPG320-12UV	12V	0-264W	22A	≥0.98	45°C/55°C	90°C	261x62.5x41.4	IP67
SPG320-24UV	24V	0-300W 120-200VAC 0-320W 200-240VAC	12.5A 13.3A	≥0.98	45°C/50°C	90°C	261x62.5x41.4	IP67



## SPG50-V/SPG80-V



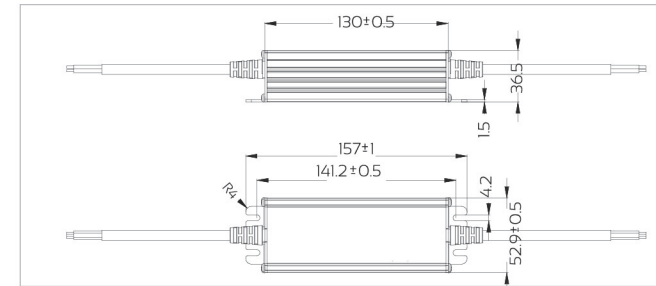
### Reliable Technical Data

- Input Voltage Range:200-277VAC
- IP67 design for indoor or outdoor installation
- Protections:short circuit/over load/over voltage/over temperature
- Built in active PFC function
- Cooling by free air, high reliability
- 100% burn-in with full load
- Suitable for LED lighting and moving sign applications
- Compliance to worldwide safety regulation for LED lightings
- 5 years warranty

- Safety standards to EN61347-1, EN61347-2-13, UL8750
- Withstand voltage to I/P: -O/P: 5.3KV DC 1 minute
- Isolation resistance to I/P: -O/P, I/P-FG: 50M Ohm / 500VDC / 25°C / 70%RH
- EMC emission to EN55015, FCC PART15 ClassB
- EMC immunity to EN61000-4-2, 3, 4, 5, 6, 8, 11; EN55024; EN61547
- Harmonic current to EN61000-3-2 CLASS C (100% load)



### Dimension in mm



### Characteristics

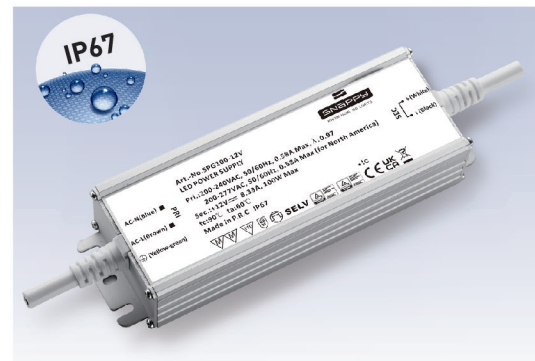
Input Voltage Range: AC200-277V 50/60Hz (power factor measured at AC230V and full load)

Model No.	Constant output voltage	Load	Max output current	PF	Ta	Tc	L x W x H	IP
SPG50-12V	12V	0-50W	4.17A	≥0.97	55°C	85°C	157x52.9x36.5	IP67
SPG50-24V	24V	0-50W	2.08A	≥0.97	55°C	85°C	157x52.9x36.5	IP67
SPG80-12V	12V	0-80W	6.67A	≥0.97	50°C	90°C	157x52.9x36.5	IP67
SPG80-24V	24V	0-80W	3.33A	≥0.97	50°C	90°C	157x52.9x36.5	IP67





## SPG100-V/SPG150-V/SPG200-V



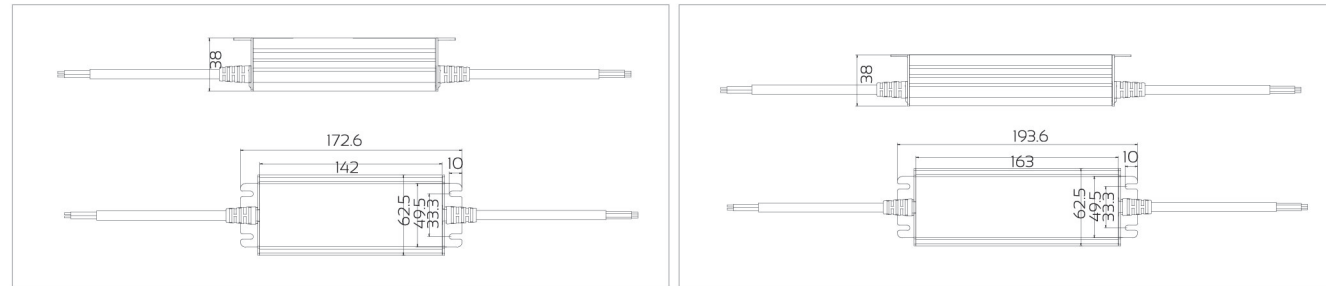
### Reliable Technical Data

- Input Voltage Range:200-277VAC
- IP67 design for indoor or outdoor installation
- Protections:short circuit/over load/over voltage/over temperature
- Built in active PFC function
- Cooling by free air, high reliability
- 100% burn-in with full load
- Suitable for LED lighting and moving sign applications
- Compliance to worldwide safety regulation for LED lightings
- 5 years warranty

- Safety standards to EN61347-1, EN61347-2-13, UL8750
- Withstand voltage to I/P: -0/P: 5.3KV DC 1 minute
- Isolation resistance to I/P: -0/P, I/P-FG: 50M Ohm / 500VDC / 25°C / 70%RH
- EMC emission to EN55015, FCC PART15 ClassB
- EMC immunity to EN61000-4-2, 3, 4, 5, 6, 8, 11; EN55024; EN61547
- Harmonic current to EN61000-3-2 CLASS C (100% load)



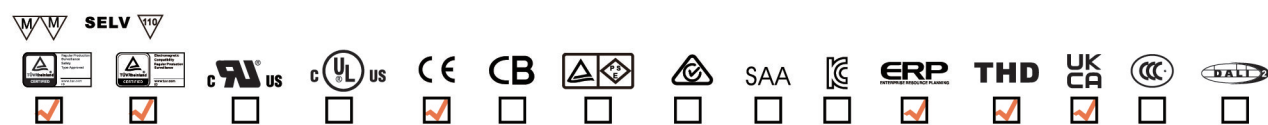
### Dimension in mm



### Characteristics

Input Voltage Range: AC200-277V 50/60Hz (power factor measured at AC230V and full load)

Model No.	Constant output voltage	Load	Max output current	PF	Ta	Tc	L x W x H	IP
SPG100-12V	12V	0-100W	8.33A	≥0.97	60°C	90°C	172.6x62.5x38	IP67
SPG100-24V	24V	0-100W	4.17A	≥0.97	60°C	90°C	172.6x62.5x38	IP67
SPG100-48V	48V	0-100W	2.08A	≥0.97	60°C	90°C	172.6x62.5x38	IP67
SPG150-12V	12V	0-150W	12.5A	≥0.98	60°C	90°C	193.6x62.5x38	IP67
SPG150-24V	24V	0-150W	6.25A	≥0.98	60°C	90°C	193.6x62.5x38	IP67
SPG150-48V	48V	0-150W	3.125A	≥0.95	60°C	90°C	193.6x62.5x38	IP67
SPG200-12V	12V	0-192W	16.A	≥0.98	50°C	90°C	220.6x62.5x38	IP67
SPG200-24V	24V	0-200W	8.33A	≥0.98	50°C	90°C	220.6x62.5x38	IP67
SPG200-48V	48V	0-200W	4.16A	≥0.98	50°C	90°C	220.6x62.5x38	IP67



## SPG200-V/SPG240-V



### Reliable Technical Data

- Input Voltage Range:200-277 VAC
- IP67 design for indoor or outdoor installation
- Protections:short circuit/over load/over voltage/over temperature
- Built in active PFC function
- Cooling by free air, high reliability
- 100% burn-in with full load
- Suitable for LED lighting and moving sign applications
- Compliance to worldwide safety regulation for LED lightings
- 5 years warranty

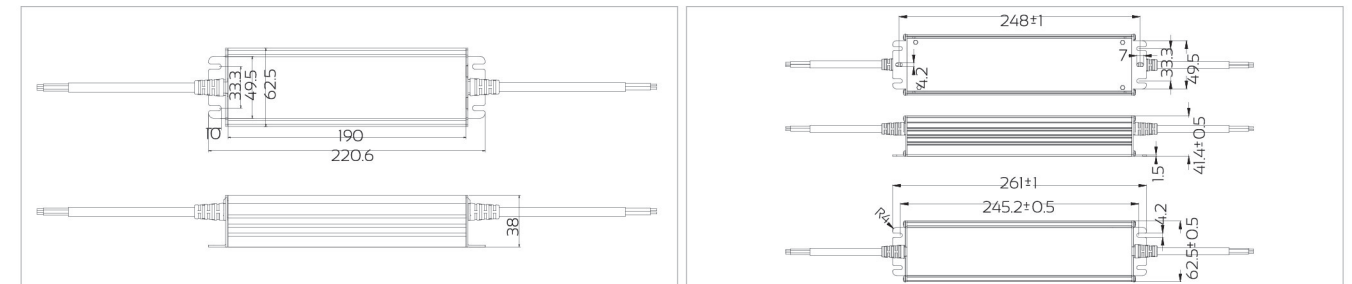
- Safety standards to EN61347-1, EN61347-2-13, UL8750
- Withstand voltage to I/P: -0/P: 5.3KV DC 1 minute
- Isolation resistance to I/P: -0/P, I/P-FG: 50M Ohm / 500VDC / 25°C / 70%RH
- EMC emission to EN55015, FCC PART15 ClassB
- EMC immunity to EN61000-4-2, 3, 4, 5, 6, 8, 11; EN55024; EN61547
- Harmonic current to EN61000-3-2 CLASS C (100% load)



## SPG320-V/SPG350-V



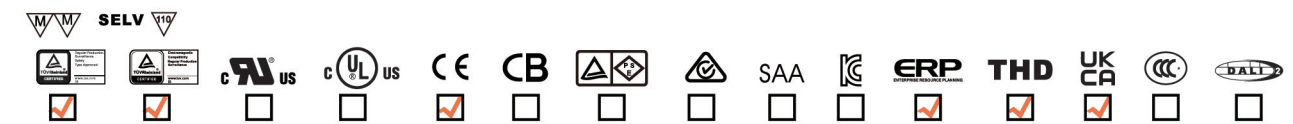
### Dimension in mm



### Characteristics

Input Voltage Range: AC200-277V 50/60Hz (power factor measured at AC230V and full load)

Model No.	Constant output voltage	Load	Max output current	PF	Ta	Tc	L x W x H	IP
SPG240-12V	12V	0-216W	18A	≥0.98	50°C	90°C	220.6x62.5x41.3	IP67
SPG240-24V	24V	0-240W	10A	≥0.98	50°C	90°C	220.6x62.5x41.3	IP67
SPG240-48V	48V	0-240W	5A	≥0.98	50°C	90°C	220.6x62.5x41.3	IP67
SPG320-12V	12V	0-290W	24.2A	≥0.98	50°C	90°C	261x62.5x41.4	IP67
SPG320-24V	24V	0-320W	13.3A	≥0.98	50°C	90°C	261x62.5x41.4	IP67
SPG320-48V	48V	0-320W	6.66A	≥0.98	50°C	90°C	261x62.5x41.4	IP67
SPG350-12V	12V	0-300W	25A	≥0.98	50°C	80°C	261x62.5x41.4	IP67
SPG350-24V	24V	0-350W	14.58A	≥0.98	50°C	80°C	261x62.5x41.4	IP67





LED drivers with plastic case for indoor LED lighting  
Open Circuit; Short Circuit; Over Load, Over Heat Protection

SPF24-VSP/SPF35-VSP  
SPF60-VSP/SPF100-VSP/SPF150-VSP

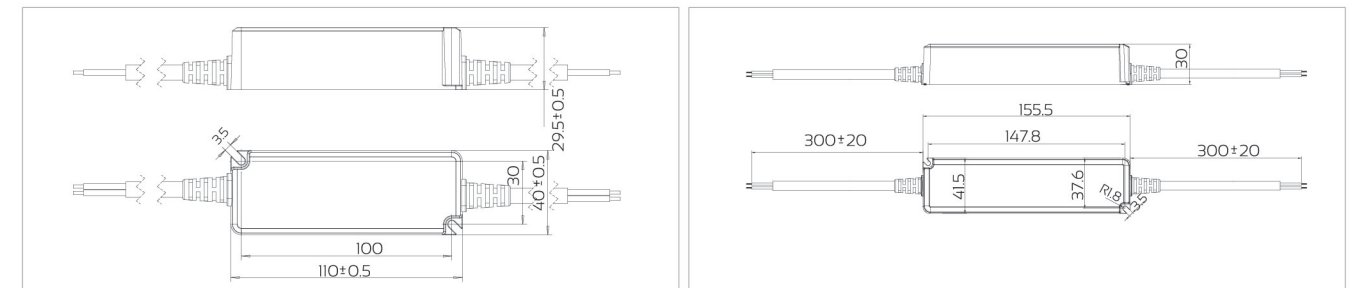


Reliable Technical Data

- Input Voltage Range: 220-240VAC
  - Input Frequency: 50/60Hz
  - Output Power: 24W/35W/60W/100W/150W
  - Body: PC Body with Protection Grade IP67
  - Open Circuit; Short Circuit; Over Load;
  - 5 years warranty
- 
- Safety According to EN61347-1, EN61347-2-13
  - EMI According to EN55015
  - EMS According to EN61000-3-2; EN61000-3-3; EN61547
  - EMF According to EN62493
  - ERP According to EU2019-2020



Dimension in mm



Characteristics

Input Voltage Range: AC220-240V 50/60Hz (power factor measured at AC230V and full load)

Model No.	Constant output voltage	Load	Max output current	PF	Ta	Tc	L x W x H	IP
SPF24-12VSP	12V	0-24W	2A	≥ 0.9	45°C	90°C	114x38.5x29	IP67
SPF24-24VSP	24V	0-24W	1A	≥ 0.9	45°C	90°C	114x38.5x29	IP67
SPF35-12VSP	12V	0-35W	2.9A	≥ 0.95	50°C	80°C	110x40x29.5	IP67
SPF35-24VSP	24V	0-35W	1.45A	≥ 0.95	55°C	85°C	110x40x29.5	IP67
SPF60-12VSP	12V	0-60W	5A	≥ 0.95	50°C	85°C	155.5x41.5x30	IP67
SPF60-24VSP	24V	0-60W	2.5A	≥ 0.95	50°C	90°C	155.5x41.5x30	IP67
SPF60-48VSP	48V	0-60W	1.25A	≥ 0.95	50°C	75°C	155.5x41.5x30	IP67
SPF100-12VSP	12V	0-100W	8.3A	≥ 0.95	45°C	85°C	155.6x47.6x32.5	IP67
SPF100-24VSP	24V	0-100W	4.2A	≥ 0.95	45°C	85°C	155.6x47.6x32.5	IP67
SPF100-48VSP	48V	0-100W	2.08A	≥ 0.95	50°C	85°C	155.6x47.6x32.5	IP67
SPF150-12VSP	12V	0-150W	12.5A	≥ 0.95	45°C	90°C	155.6x47.6x32.5	IP67
SPF150-24VSP	24V	0-150W	6.25A	≥ 0.95	45°C	90°C	155.6x47.6x32.5	IP67
SPF150-48VSP	48V	0-150W	3.125A	≥ 0.95	45°C	85°C	155.6x47.6x32.5	IP67





## SPF60-VSP(UE)

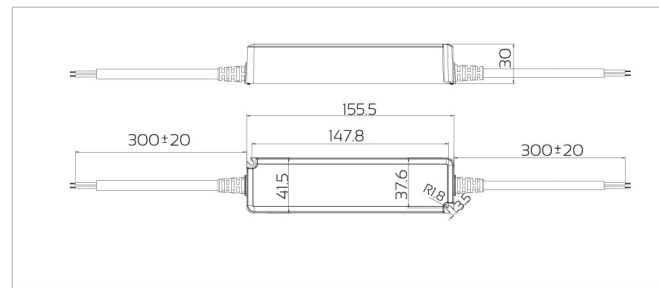


### Reliable Technical Data

- Input Voltage Range:100-240VAC
- Input Frequency:50/60Hz
- Output Power:60W
- Body: PC Body with Protection Grade IP67
- Open Circuit; Short Circuit; Over Load;
- 5 years warranty
- Safety According to EN61347-1, EN61347-2-13
- EMI According to EN55015
- EMS According to EN61000-3-2; EN61000-3-3; EN61547
- EMF According to EN62493
- ERP According to EU2019-2020



### Dimension in mm



### Characteristics

Input Voltage Range: AC100-240V 50/60Hz (power factor measured at AC230V and full load)

Model No.	Constant output voltage	Load	Max output current	PF	Ta	Tc	L x W x H	IP
SPF60-12VSP(UE)	12V	0-60W	5A	≥0.95	50°C	85°C	155.5x41.5x30	IP67
SPF60-24VSP(UE)	24V	0-60W	2.5A	≥0.95	50°C	90°C	155.5x41.5x30	IP67
SPF60-48VSP(UE)	48V	0-60W	1.25A	≥0.95	50°C	75°C	155.5x41.5x30	IP67



## SPF100-VSP(UE)

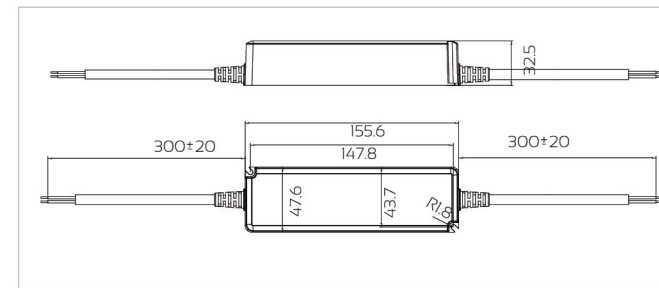


### Reliable Technical Data

- Input Voltage Range:100-240VAC
- Input Frequency:50/60Hz
- Output Power:100W
- Body: PC Body with Protection Grade IP67
- Open Circuit; Short Circuit; Over Load;
- 5 years warranty
- Safety According to EN61347-1, EN61347-2-13
- EMI According to EN55015
- EMS According to EN61000-3-2; EN61000-3-3; EN61547
- EMF According to EN62493
- ERP According to EU2019-2020



### Dimension in mm



### Characteristics

Input Voltage Range: AC100-240V 50/60Hz (power factor measured at AC230V and full load)

Model No.	Constant output voltage	Load	Max output current	PF	Ta	Tc	L x W x H	IP
SPF100-12VSP(UE)	12V	0-100W	8.3A	≥0.95	45°C	85°C	155.6x47.6x32.5	IP67
SPF100-24VSP(UE)	24V	0-100W	4.2A	≥0.95	45°C	85°C	155.6x47.6x32.5	IP67
SPF100-48VSP(UE)	48V	0-100W	2.08A	≥0.95	50°C	85°C	155.6x47.6x32.5	IP67





## Indoor Series



### INDOOR APPLICATION

- DALI2.0 Dimmable Series
- CASAMBI Series
- Regular & Super Slim Series
- Linetype Series
- Built-in Connector Series
- UL & UE Series
- Sensor Series

 **HELENA**  
Super Slim

 **PROMETHEUS**  
Regular Human, Vision

 **HELIOS**  
Dimmable

 **MARATHON**  
Long Life



**DALI Dimmable Series**



**DALI Control**



Smart



Touch



Sensor

Small size, Light weight, Easy for installation and transportation

Open Circuit; Short Circuit; Over Load

Dimmable





## Indoor DALI 2.0 Dimmable Series

### IP67 DALI2.0 Dimmable Series



### SDL60-VFP6/SDL100-VFP6 SDL150-VFP6



CV Version



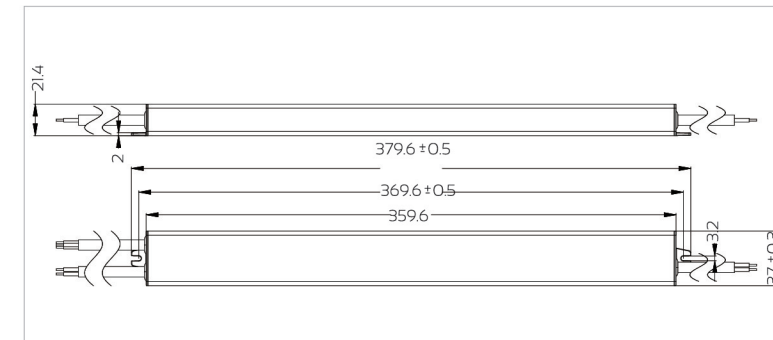
#### Reliable Technical Data

- Input Voltage Range:220-240VAC
- Input Frequency:50Hz/60Hz
- Output Power:60W/100W/150W
- Body: Aluminum case
- Short Circuit; Over Load; Over Voltage
- Over Heat Protection

- Safety According to EN61347-1, EN61347-2-13
- EMI According to EN55015
- EMS According to EN61000-3-2; EN61000-3-3; EN61547
- EMF According to EN62493
- ERP According to EU2019-2020
- DALI 2 IEC62386



#### Dimension in mm



#### Characteristics

Input Voltage Range:220-240VAC 50Hz/60Hz (power factor measured at AC230V and full load)



Model No.	Constant output voltage	Max output current	Power	PF	Ta	Tc	L x W x H
SDL60-12VFP6	12V	5.0A	6-60W	≥0.95	55°C	80°C	379.6x37x21.4
SDL60-24VFP6	24V	2.5A	6-60W	≥0.95	55°C	80°C	379.6x37x21.4
SDL100-12VFP6	12V	8.33A	10-100W	≥0.95	55°C	80°C	379.6x37x21.4
SDL100-24VFP6	24V	4.16A	10-100W	≥0.95	55°C	80°C	379.6x37x21.4
SDL150-12VFP6	12V	11A	13.2-132W	≥0.95	55°C	80°C	379.6x37x21.4
SDL150-24VFP6	24V	6.25A	15-150W	≥0.95	55°C	80°C	379.6x37x21.4





# ☰ DALI 2.0 Constant Voltage Dimmable Series

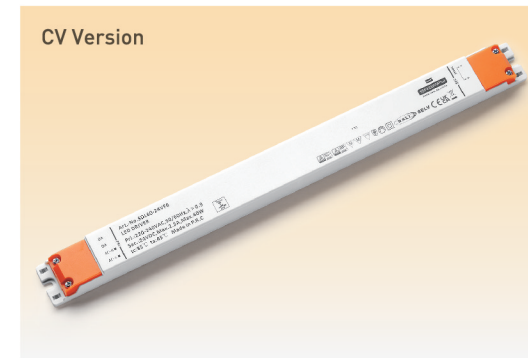
## IP20 DALI2.0 Dimmable Series



SDL60-VF6/SDL60-VF8  
SDL100-VF6/SDL100-VF8



CV Version

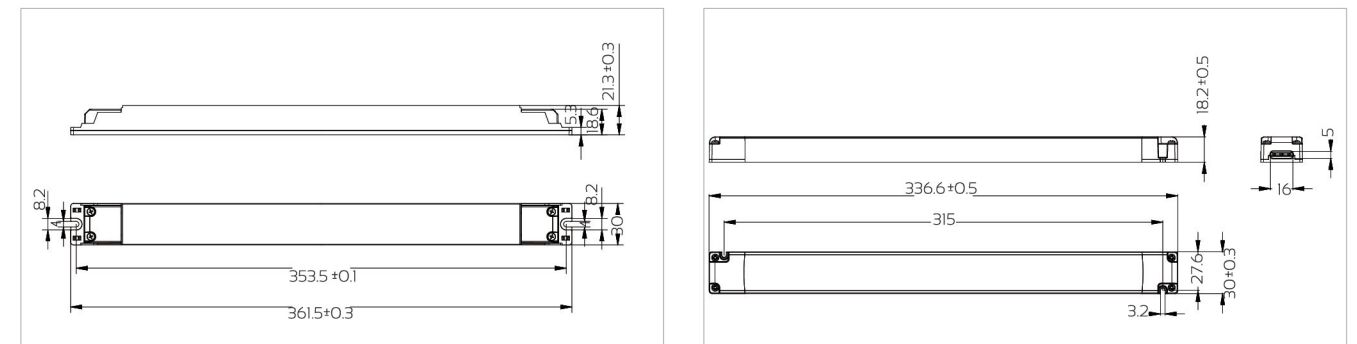


### Reliable Technical Data

- Input Voltage Range:220-240VAC
- Input Frequency:50Hz/60Hz
- Output Power:60W/100W
- Body: Plastic case
- Short Circuit; Over Load; Over Voltage
- Over Heat Protection
  
- Safety According to EN61347-1, EN61347-2-13
- EMI According to EN55015
- EMS According to EN61000-3-2; EN61000-3-3; EN61547
- EMF According to EN62493
- ERP According to EU2019-2020
- DALI 2 IEC62386



### Dimension in mm



### Characteristics

Input Voltage Range:220-240VAC 50Hz/60Hz (power factor measured at AC230V and full load)



Model No.	Constant output voltage	Max output current	Power	PF	Ta	Tc	L x W x H
SDL60-12VF6	12V	5.0A	6-60W	>0.9	45°C	85°C	361.5x30x21.3
SDL60-24VF6	24V	2.5A	6-60W	>0.9	45°C	85°C	361.5x30x21.3
SDL60-48VF6	48V	1.25A	6-60W	>0.9	45°C	85°C	361.5x30x21.3
SDL60-24VF8	24V	2.5A	6-60W	>0.9	45°C	85°C	361.5x30x21.3
SDL100-12VF6	12V	8.33A	10-100W	≥0.95	45°C	85°C	336.6x30x18.2
SDL100-24VF6	24V	4.16A	10-100W	≥0.95	45°C	85°C	336.6x30x18.2
SDL100-48VF6	48V	2.08A	10-100W	≥0.95	45°C	85°C	336.6x30x18.2
SDL100-24VF8	24V	4.16A	10-100W	≥0.95	45°C	85°C	336.6x30x18.2



SDL150-VF6/SDL150-VF8  
SDL200-VF/SDL240-VF



CV Version

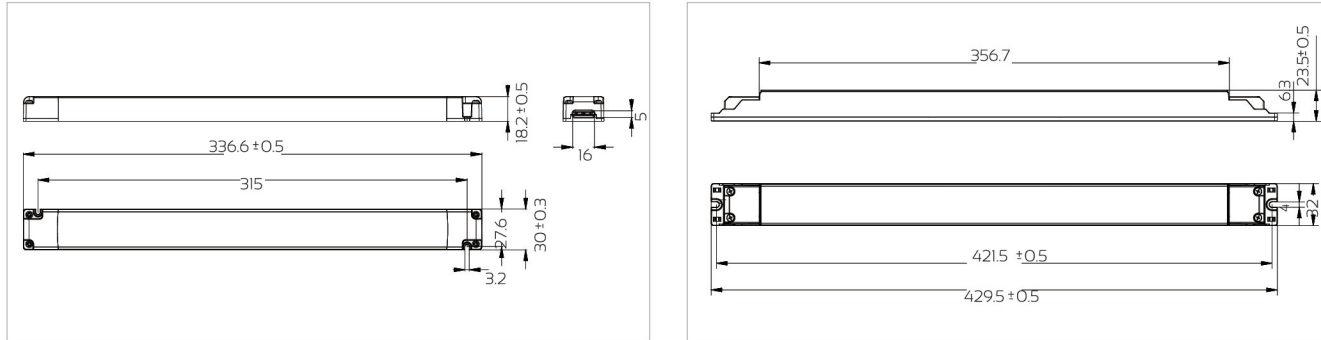


### Reliable Technical Data

- Input Voltage Range: 220-240VAC
  - Input Frequency: 50Hz/60Hz
  - Output Power: 150W/200W/240W
  - Body: Plastic case
  - Short Circuit; Over Load; Over Voltage
  - Over Heat Protection
- 
- Safety According to EN61347-1, EN61347-2-13
  - EMI According to EN55015
  - EMS According to EN61000-3-2; EN61000-3-3; EN61547
  - EMF According to EN62493
  - ERP According to EU2019-2020
  - DALI 2 IEC62386



### Dimension in mm



### Characteristics

Input Voltage Range: 220-240VAC 50Hz/60Hz (power factor measured at AC230V and full load)



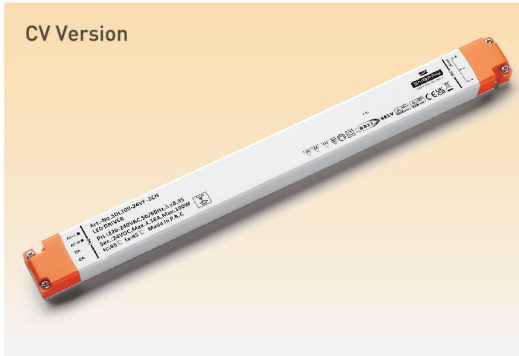
Model No.	Constant output voltage	Max output current	Power	PF	Ta	Tc	L x W x H
SDL150-12VF6	12V	11A	13.2-132W	≥0.95	45°C	85°C	336.6x30x18.2
SDL150-24VF6	24V	6.25A	15-150W	≥0.95	45°C	85°C	336.6x30x18.2
SDL150-48VF6	48V	3.125A	15-150W	≥0.95	45°C	85°C	336.6x30x18.2
SDL150-24VF8	24V	6.25A	15-150W	≥0.95	45°C	85°C	336.6x30x18.2
SDL200-12VF	12V	14.16A	48-170W	≥0.9	45°C	90°C	429.5x32x23.5
SDL200-24VF	24V	8.33A	48-200W	≥0.9	45°C	90°C	429.5x32x23.5
SDL240-24VF	24V	10A	72-240W	≥0.9	45°C	90°C	429.5x32x23.5



SDL100-VF-2CH  
SDL150-VF-2CH



CV Version

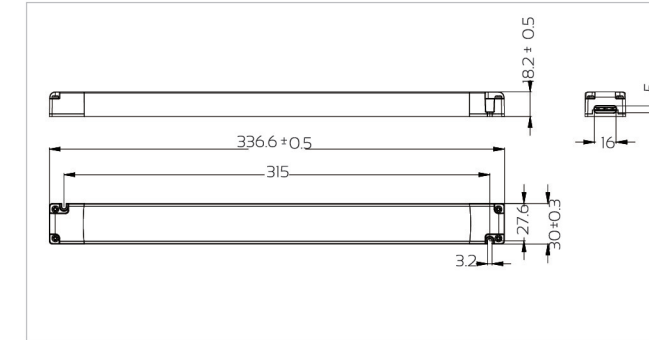


### Reliable Technical Data

- Input Voltage Range: 220-240VAC
  - Input Frequency: 50Hz/60Hz
  - Output Power: 100W/150W
  - Body: Plastic case
  - Short Circuit; Over Load; Over Voltage
  - Over Heat Protection
- 
- Safety According to EN61347-1, EN61347-2-13
  - EMI According to EN55015
  - EMS According to EN61000-3-2; EN61000-3-3; EN61547
  - EMF According to EN62493
  - ERP According to EU2019-2020
  - DALI 2 IEC62386



### Dimension in mm

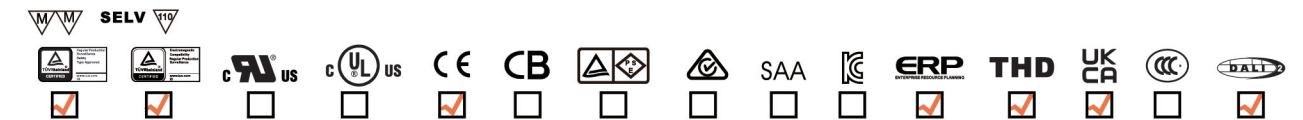


### Characteristics

Input Voltage Range: 220-240VAC 50Hz/60Hz (power factor measured at AC230V and full load)



Model No.	Constant output voltage	Max output current	Power	PF	Ta	Tc	L x W x H
SDL100-24VF-2CH dual channels	24V	4.16A	10-100W	≥0.95	45°C	85°C	336.6x30x18.2
SDL150-24VF-2CH dual channels	24V	6.25A	15-150W	≥0.95	45°C	85°C	336.6x30x18.2



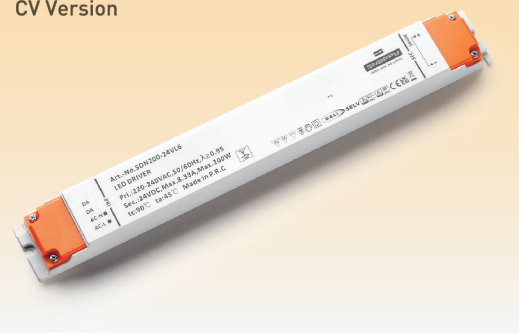


# DALI 2.0 Constant Voltage Dimmable Series

SDN200-VL6/SDN200-VL8  
SDN240-VL6/SDN240-VL8



CV Version

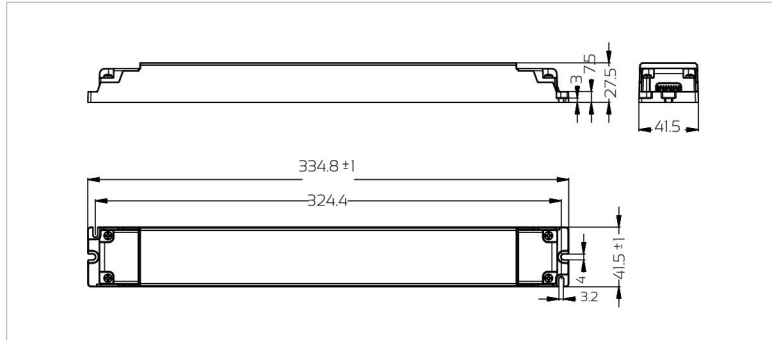


## Reliable Technical Data

- Input Voltage Range:220-240VAC
  - Input Frequency:50Hz/60Hz
  - Output Power:200W/240W
  - Body: Plastic case
  - Short Circuit; Over Load; Over Voltage
  - Over Heat Protection
- 
- Safety According to EN61347-1, EN61347-2-13
  - EMI According to EN55015
  - EMS According to EN61000-3-2; EN61000-3-3; EN61547
  - EMF According to EN62493
  - ERP According to EU2019-2020
  - DALI 2 IEC62386



## Dimension in mm



## Characteristics

Input Voltage Range:220-240VAC 50Hz/60Hz (power factor measured at AC230V and full load)



Model No.	Constant output voltage	Max output current	Power	PF	Ta	Tc	L x W x H
SDN200-24VL6	24V	8.33A	20-200W	≥0.95	45°C	90°C	334.8x41.5x27.5
SDN200-48VL6	48V	4.16A	20-200W	≥0.95	45°C	90°C	334.8x41.5x27.5
SDN200-24VL8	24V	8.33A	20-200W	≥0.95	45°C	90°C	334.8x41.5x27.5
SDN240-24VL6	24V	10A	24-240W	≥0.95	45°C	90°C	334.8x41.5x27.5
SDN240-48VL6	48V	5A	24-240W	≥0.95	45°C	90°C	334.8x41.5x27.5
SDN240-24VL8	24V	10A	24-240W	≥0.95	45°C	90°C	334.8x41.5x27.5



# DALI 2.0 Constant Current Dimmable Series



SDS8-IL/SDS15-IL/SDS26-IL  
SDS44-IL/SDS60-IL



NEW!

CC Version

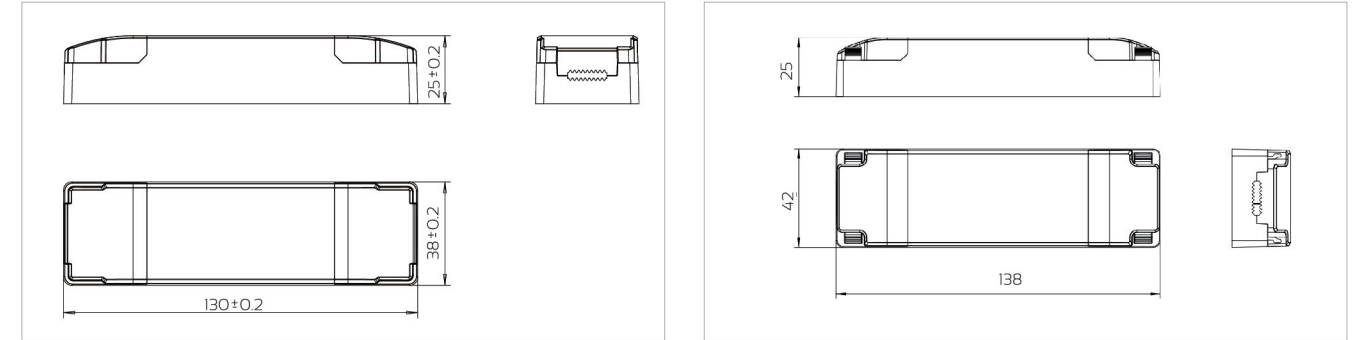


## Reliable Technical Data

- Input Voltage Range:220-240VAC
  - Input Frequency:50Hz/60Hz
  - Output Power:8W/15W/26W/44W/60W
  - Body: Plastic case
  - Open Circuit; Short Circuit; Over Load;
  - Over Heat Protection
- 
- Safety According to EN61347-1, EN61347-2-13
  - EMI According to EN55015
  - EMS According to EN61000-3-2; EN61000-3-3; EN61547
  - EMF According to EN62493
  - ERP According to EU2019-2020
  - DALI 2 IEC62386



## Dimension in mm



## Characteristics

Input Voltage Range: AC220-240V 50/60Hz (power factor measured at AC230V and full load)



Model No.	Constant output current	Load	Output voltage range	PF	Ta	Tc	L x W x H
SDS8-700IL	350-700mA	1.8-8W	5-21VDC	≥0.9	50°C	80°C	130x38x25
SDS15-350IL	120-350mA	1.5-15W	9-48VDC	≥0.95	50°C	80°C	130x38x25
SDS26-700IL	160-700mA	4.8-26W	20-50VDC	≥0.95	45°C	85°C	138x42x25
SDS44-1050IL	700-1050mA	14-44W	20-50VDC	≥0.95	45°C	85°C	138x42x25
SDS60-1400IL	700-1400mA	24.5-60W	35-50VDC	≥0.9	45°C	85°C	163x47.5x28

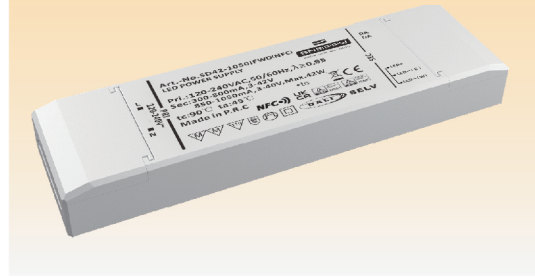


# DALI 2.0 Constant Current Dimmable Series

SD42-IFWD  
SD42-IFWD(NFC)



CC Version



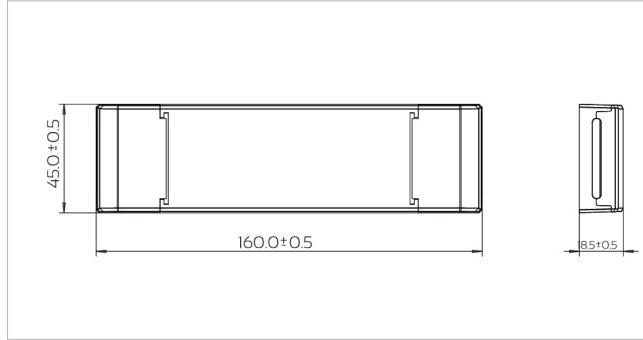
## Reliable Technical Data

- Input Voltage Range: 220-240VAC
- Input Frequency: 50/60Hz
- Output Power: 42W
- Body: Plastic case
- Open Circuit; Short Circuit; Over Load;

- Safety According to EN61347-1, EN61347-2-13
- EMI According to EN55015
- EMS According to EN61000-3-2; EN61000-3-3; EN61547
- EMF According to EN62493
- ERP According to EU2019-2020



## Dimension in mm



## Characteristics

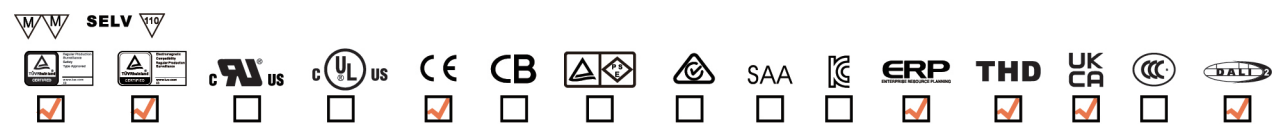
Input Voltage Range: AC220-240V 50/60Hz (power factor measured at AC230V and full load)



Model No.	Constant output current	Load	Max Output current	PF	Ta	Tc	L x W x H
SD42-1050IFWD	1050mA	42W Max	300-1050A	≥0.95	45°C	90°C	160x45x18.5



Model No.	Constant output current	Load	Max Output current	PF	Ta	Tc	L x W x H
SD42-1050IFWD(NFC)	1050mA	42W Max	300-1050A	≥0.95	45°C	90°C	160x45x18.5



# CASAMBI Linetype Series



SCL100-VF/SCL150-VF

NEW!

CV Version



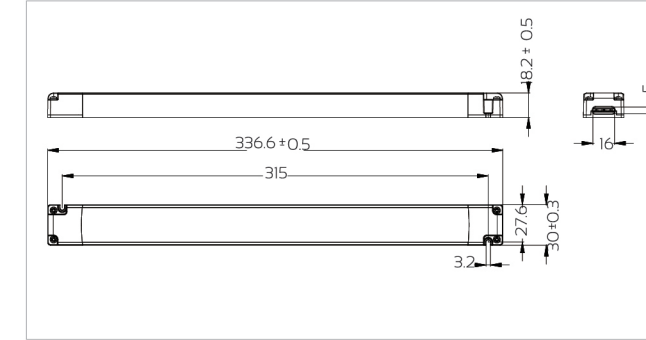
## Reliable Technical Data

- Input Voltage Range: 220-240VAC
- Input Frequency: 50/60Hz
- Output Power: 100W/150W
- Body: Plastic case
- Open Circuit; Short Circuit; Over Load;

- Safety According to EN61347-1, EN61347-2-13
- EMI According to EN55015
- EMS According to EN61000-3-2; EN61000-3-3; EN61547
- EMF According to EN62493
- ERP According to EU2019-2020



## Dimension in mm



## Characteristics

Input Voltage Range: AC220-240V 50/60Hz (power factor measured at AC230V and full load)

Model No.	Constant output voltage	Load	Max output current	PF	Ta	Tc	L x W x H
SCL100-12VF	12V	0-100W	8.33A	≥0.95	45°C	85°C	336.6x30x18.2
SCL100-24VF	24V	0-100W	4.16A	≥0.95	45°C	85°C	336.6x30x18.2
SCL100-48VF	48V	0-100W	2.08A	≥0.95	45°C	85°C	336.6x30x18.2
SCL150-12VF	12V	0-132W	11A	≥0.95	45°C	85°C	336.6x30x18.2
SCL150-24VF	24V	0-150W	6.25A	≥0.95	45°C	85°C	336.6x30x18.2
SCL150-48VF	48V	0-150W	3.125A	≥0.95	45°C	85°C	336.6x30x18.2





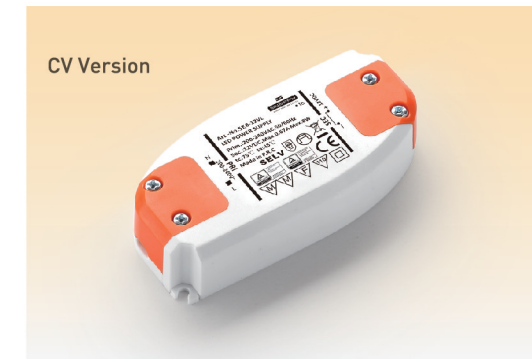
# Regular & Super Slim Series

## IP20 Regular Series



### SE8-VL

CV Version



#### Reliable Technical Data

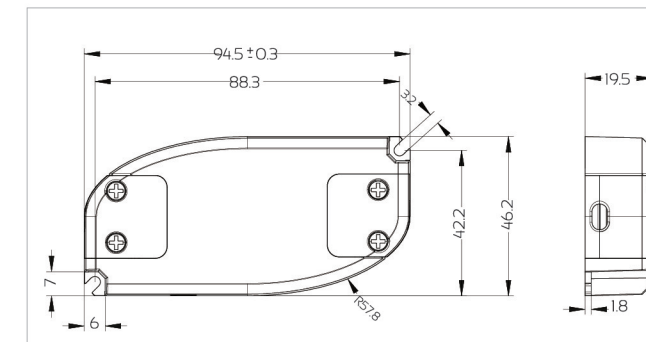
- Input Voltage Range: 200-240VAC
- Input Frequency: 50/60Hz
- Output Power: 8W
- Body: PC
- Open Circuit; Short Circuit; Over Load;

- Safety According to EN61347-1, EN61347-2-13
- EMI According to EN55015
- EMS According to EN61000-3-2; EN61000-3-3; EN61547
- EMF According to EN62493
- ERP According to EU2019-2020

Comply to latest EN IEC 61000-3-2:2019



#### Dimension in mm



#### Characteristics

Input Voltage Range: AC200-240V 50/60Hz (power factor measured at AC230V and full load)

Model No.	Constant output voltage	Load	Max output current	PF	Ta	Tc	L x W x H
SE8-12VL	12V	0-8W	0.67A	≥0.8	45°C	75°C	94.5x46.2x19.5
SE8-24VL	24V	0-8W	0.33A	≥0.8	45°C	75°C	94.5x46.2x19.5



# IP20 Regular Series

SS/SES20-VL  
SS/SES24-VL  
SS/SES30-VL

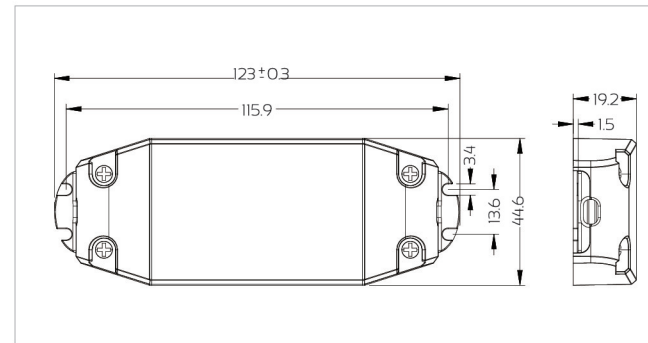


## Reliable Technical Data

- Input Voltage Range:220-240VAC
- Input Frequency:50/60Hz
- Output Power:20W/24W/30W
- Body: PC
- Open Circuit; Short Circuit; Over Load;
- Safety According to EN61347-1, EN61347-2-13
- EMI According to EN55015
- EMS According to EN61000-3-2; EN61000-3-3; EN61547
- EMF According to EN62493
- ERP According to EU2019-2020



## Dimension in mm



## Characteristics

Input Voltage Range: AC220-240V 50/60Hz (power factor measured at AC230V and full load)

Model No.	Constant output voltage	Load	Max output current	PF	Ta	Tc	L x W x H
SS/SES20-12VL	12V	0-20W	1.67A	≥0.9	45°C	75°C	123x44.6x19.2
SS/SES20-24VL	24V	0-20W	0.83A	≥0.9	45°C	75°C	123x44.6x19.2
SS/SES24-12VL	12V	0-24W	2A	≥0.95	45°C	80°C	123x44.6x19.2
SS/SES24-24VL	24V	0-24W	1A	≥0.95	45°C	80°C	123x44.6x19.2
SS/SES30-12VL	12V	0-30W	2.5A	≥0.9	45°C	80°C	123x44.6x19.2
SS/SES30-24VL	24V	0-30W	1.25A	≥0.9	45°C	80°C	123x44.6x19.2



SS/SES36-VL  
SS/SES40-VL  
SS/SES50-VL

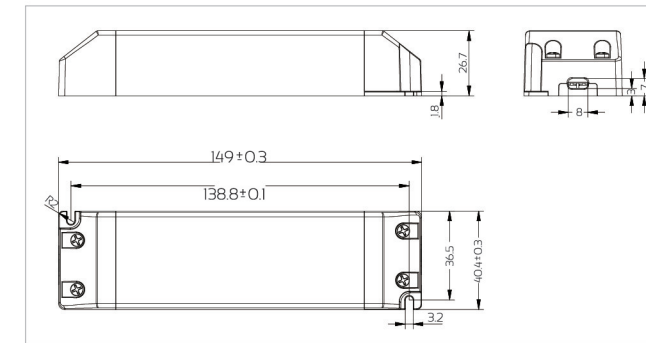


## Reliable Technical Data

- Input Voltage Range:220-240VAC
- Input Frequency:50/60Hz
- Output Power:36W/40W/50W
- Body: PC
- Open Circuit; Short Circuit; Over Load;
- Safety According to EN61347-1, EN61347-2-13
- EMI According to EN55015
- EMS According to EN61000-3-2; EN61000-3-3; EN61547
- EMF According to EN62493
- ERP According to EU2019-2020



## Dimension in mm



## Characteristics

Input Voltage Range: AC220-240V 50/60Hz (power factor measured at AC230V and full load)

Model No.	Constant output voltage	Load	Max output current	PF	Ta	Tc	L x W x H
SS/SES36-12VL	12V	0-36W	3A	≥0.95	45°C	85°C	149x40.4x26.7
SS/SES36-24VL	24V	0-36W	1.5A	≥0.95	45°C	85°C	149x40.4x26.7
SS/SES40-12VL	12V	0-40W	3.33A	≥0.9	45°C	80°C	149x40.4x26.7
SS/SES40-24VL	24V	0-40W	1.67A	≥0.9	45°C	80°C	149x40.4x26.7
SS/SES50-12VL	12V	0-50W	4.16A	≥0.9	45°C	90°C	149x40.4x26.7
SS/SES50-24VL	24V	0-50W	2.08A	≥0.9	45°C	90°C	149x40.4x26.7





SS/SES60-VL SS/SES100-VL  
SS/SES75-VL SS/SES150-VL

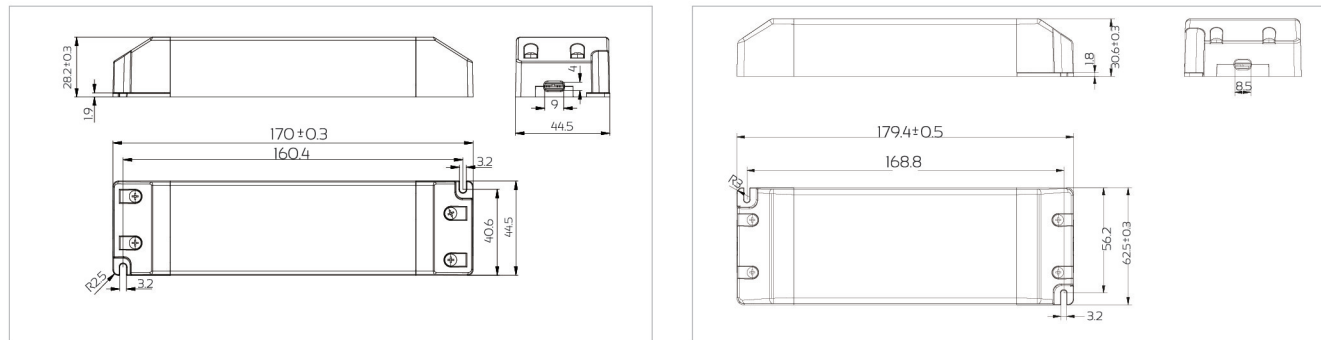


### Reliable Technical Data

- Input Voltage Range: 220-240VAC (60W / 75W / 150W)  
200-240VAC (100W)
- Input Frequency: 50/60Hz
- Output Power: 60W/75W/100W/150W
- Body: PC
- Open Circuit; Short Circuit; Over Load;
- Safety According to EN61347-1, EN61347-2-13
- EMI According to EN55015
- EMS According to EN61000-3-2; EN61000-3-3; EN61547
- EMF According to EN62493
- ERP According to EU2019-2020



### Dimension in mm



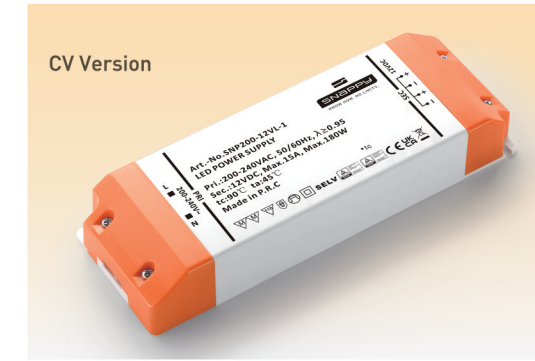
### Characteristics

Input Voltage Range: AC220-240V 50/60Hz (power factor measured at AC230V and full load)

Model No.	Constant output voltage	Load	Max output current	PF	Ta	Tc	L x W x H
SS/SES60-12VL	12V	0-60W	5A	≥0.9	45°C	85°C	170x44.5x28.2
SS/SES60-24VL	24V	0-60W	2.5A	≥0.9	45°C	85°C	170x44.5x28.2
SS/SES60-48VL	48V	0-60W	1.25A	≥0.9	45°C	85°C	170x44.5x28.2
SS/SES75-12VL	12V	0-75W	6.25A	≥0.9	45°C	90°C	170x44.5x28.2
SS/SES75-24VL	24V	0-75W	3.125A	≥0.9	45°C	90°C	170x44.5x28.2
SS/SES100-12VL	12V	0-100W 200-240VAC	8.33A	≥0.97	45°C	90°C	170x44.5x28.2
SS/SES100-24VL	24V	0-100W 200-240VAC	4.16A	≥0.97	45°C	90°C	170x44.5x28.2
SS/SES150-12VL	12V	0-132W	11A	≥0.95	45°C	90°C	179.4x62.5x30.6
SS/SES150-24VL	24V	0-150W	6.25A	≥0.95	45°C	90°C	179.4x62.5x30.6
SS/SES150-48VL	48V	0-150W	3.12A	≥0.95	45°C	90°C	179.4x62.5x30.6



SNP200-VL-1/SNP250-VL-1/SNP320-VL-1

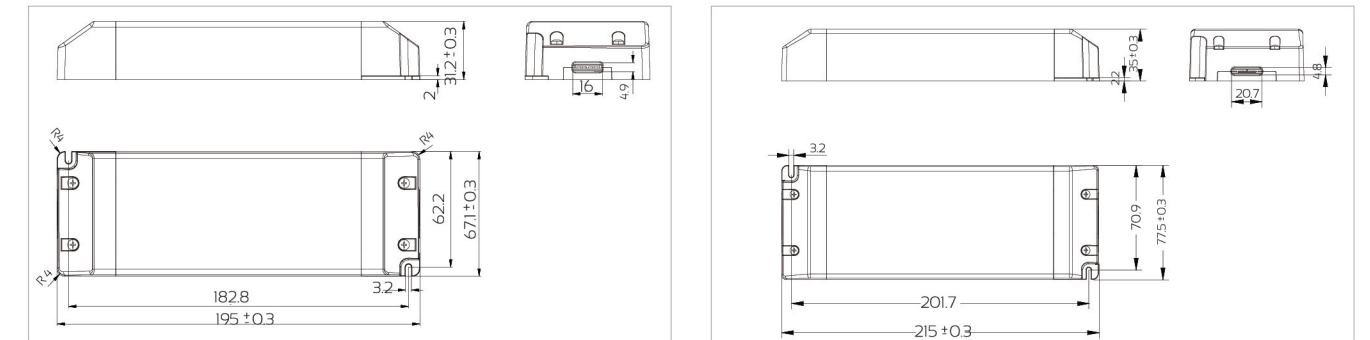


### Reliable Technical Data

- Input Voltage Range: 200-240VAC
- Input Frequency: 50/60Hz
- Output Power: 200W/250W/320W
- Body: PC
- Open Circuit; Short Circuit; Over Load;
- Safety According to EN61347-1, EN61347-2-13
- EMI According to EN55015
- EMS According to EN61000-3-2; EN61000-3-3; EN61547
- EMF According to EN62493
- ERP According to EU2019-2020



### Dimension in mm



### Characteristics

Input Voltage Range: AC200-240V 50/60Hz (power factor measured at AC230V and full load)

Model No.	Constant output voltage	Load	Max output current	PF	Ta	Tc	L x W x H
SNP200-12VL-1	12V	0-180W	15A	≈0.95	45°C	80°C	195x67.1x31.2
SNP200-24VL-1	24V	0-200W	8.33A	≈0.95	45°C	80°C	195x67.1x31.2
SNP200-48VL-1	48V	0-200W	4.16A	≈0.95	45°C	90°C	195x67.1x31.2
SNP250-12VL-1	12V	0-216W	18A	≥0.95	45°C	90°C	195x67.1x31.2
SNP250-24VL-1	24V	0-250W	10.4A	≥0.95	45°C	90°C	195x67.1x31.2
SNP250-48VL-1	48V	0-240W	5A	≥0.95	45°C	90°C	195x67.1x31.2
SNP320-12VL-1	12V	0-260W	21.7A	≥0.95	45°C	85°C	215x77.5x35
SNP320-24VL-1	24V	0-320W	13.3A	≥0.95	45°C	85°C	215x77.5x35
SNP320-48VL-1	48V	0-320W	6.67A	≥0.95	45°C	85°C	215x77.5x35



## SEA8-VL/SEA12-VL/SEA15-VL NEW!

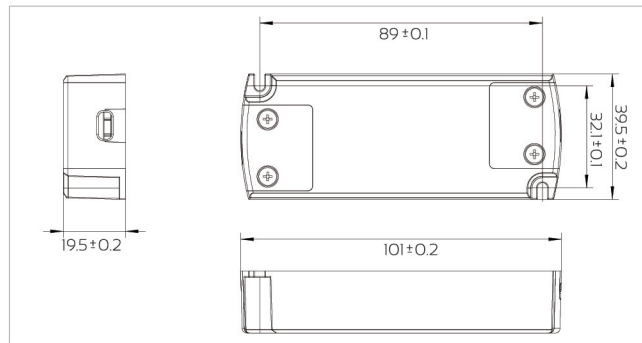


### Reliable Technical Data

- Input Voltage Range:200-240VAC
  - Input Frequency:50/60Hz
  - Output Power:8W/12W/15W
  - Body: PC
  - Open Circuit; Short Circuit; Over Load;
- 
- Safety According to EN61347-1, EN61347-2-13
  - EMI According to EN55015
  - EMS According to EN61000-3-2; EN61000-3-3; EN61547
  - EMF According to EN62493
  - ERP According to EU2019-2020



### Dimension in mm



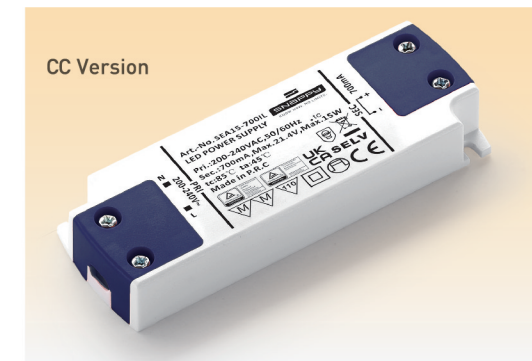
### Characteristics

Input Voltage Range: AC200-240V 50/60Hz (power factor measured at AC230V and full load)

Model No.	Constant output voltage	Load	Max output current	PF	Ta	Tc	L x W x H
SEA8-12VL	12V	0-8W	0.67A	≥0.75	45°C	80°C	101x39.5x19.5
SEA8-24VL	24V	0-8W	0.33A	≥0.75	45°C	80°C	101x39.5x19.5
SEA12-12VL	12V	0-12W	1A	≥0.75	45°C	80°C	101x39.5x19.5
SEA12-24VL	24V	0-12W	0.5A	≥0.75	45°C	80°C	101x39.5x19.5
SEA15-12VL	12V	0-15W	1.25A	≥0.8	45°C	85°C	101x39.5x19.5
SEA15-24VL	24V	0-15W	0.625A	≥0.8	45°C	85°C	101x39.5x19.5



## SEA15-IL NEW!

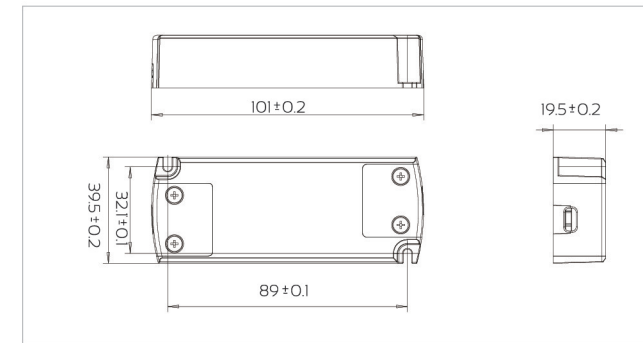


### Reliable Technical Data

- Input Voltage Range:200-240VAC
  - Input Frequency:50/60Hz
  - Output Power:15W
  - Body: PC
  - Open Circuit; Short Circuit; Over Load;
- 
- Safety According to EN61347-1, EN61347-2-13
  - EMI According to EN55015
  - EMS According to EN61000-3-2; EN61000-3-3; EN61547
  - EMF According to EN62493
  - ERP According to EU2019-2020



### Dimension in mm



### Characteristics

Input Voltage Range: AC200-240V 50/60Hz (power factor measured at AC230V and full load)

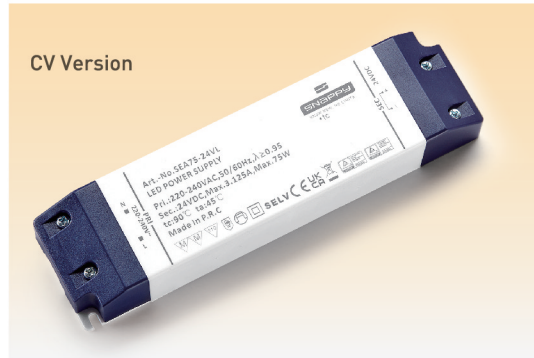
Model No.	Constant output current	Load	Output current range	PF	Ta	Tc	L x W x H
SEA15-350IL	350mA	7.5-15W	21.4-42.8V	≥0.80	45°C	80°C	101x39.5x19.5
SEA15-500IL	500mA	7.5-15W	15-30V	≥0.80	45°C	80°C	101x39.5x19.5
SEA15-700IL	700mA	7.5-15W	10.7-21.4V	≥0.80	45°C	80°C	101x39.5x19.5





## SEA60-VL/SEA75-VL

NEW!

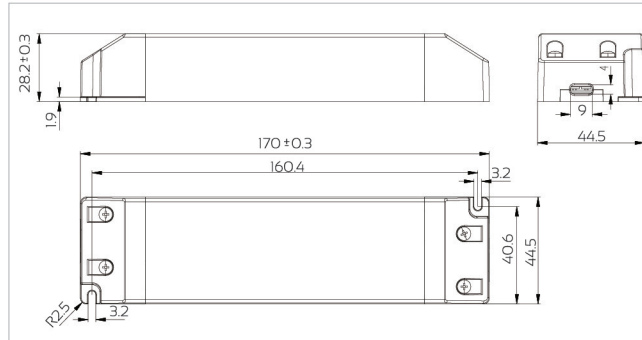


### Reliable Technical Data

- Input Voltage Range: 220-240VAC
  - Input Frequency: 50/60Hz
  - Output Power: 60W/75W
  - Body: PC
  - Open Circuit; Short Circuit; Over Load;
- 
- Safety According to EN61347-1, EN61347-2-13
  - EMI According to EN55015
  - EMS According to EN61000-3-2; EN61000-3-3; EN61547
  - EMF According to EN62493
  - ERP According to EU2019-2020



### Dimension in mm



### Characteristics

Input Voltage Range: AC220-240V 50/60Hz (power factor measured at AC230V and full load)

Model No.	Constant output voltage	Load	Max output current	PF	Ta	Tc	L x W x H
SEA60-12VL	12V	0-60W	5A	≥0.9	45°C	90°C	170x44.5x28.2
SEA60-24VL	24V	0-60W	2.5A	≥0.9	45°C	90°C	170x44.5x28.2
SEA60-48VL	48V	0-60W	1.25A	≥0.95	45°C	85°C	170x44.5x28.2
SEA75-12VL	12V	0-75W	6.25A	≥0.95	45°C	90°C	170x44.5x28.2
SEA75-24VL	24V	0-75W	3.125A	≥0.95	45°C	90°C	170x44.5x28.2
SEA75-48VL	48V	0-75W	1.56A	≥0.95	45°C	90°C	170x44.5x28.2



## SEA120-VL/SEA180-VL

NEW!

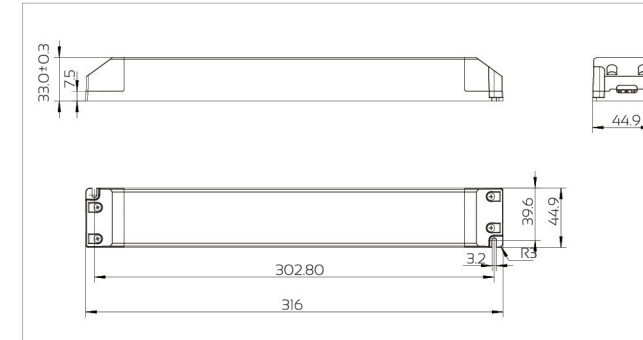


### Reliable Technical Data

- Input Voltage Range: 220-240VAC
  - Input Frequency: 50/60Hz
  - Output Power: 120W/180W
  - Body: PC
  - Open Circuit; Short Circuit; Over Load;
- 
- Safety According to EN61347-1, EN61347-2-13
  - EMI According to EN55015
  - EMS According to EN61000-3-2; EN61000-3-3; EN61547
  - EMF According to EN62493
  - ERP According to EU2019-2020



### Dimension in mm



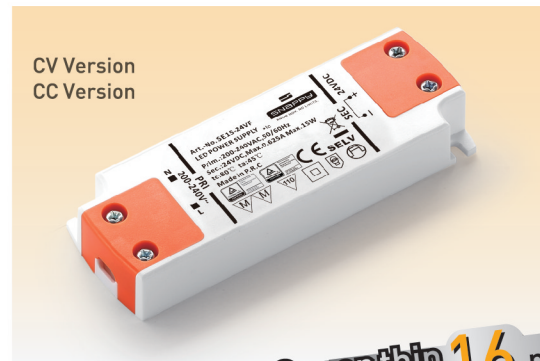
### Characteristics

Input Voltage Range: AC220-240V 50/60Hz (power factor measured at AC230V and full load)

Model No.	Constant output voltage	Load	Max output current	PF	Ta	Tc	L x W x H
SEA120-24VL	24V	0-120W	5A	≥0.9	45°C	85°C	316x44.9x33
SEA120-48VL	48V	0-120W	2.5A	≥0.95	45°C	85°C	316x44.9x33
SEA180-24VL	24V	0-180W	7.5A	≥0.95	45°C	85°C	316x44.9x33
SEA180-48VL	48V	0-180W	3.75A	≥0.95	45°C	85°C	316x44.9x33



## SE15-VF/SE20-VF/SE15-IF/SE20-IF



**Super thin 16 mm**  
Thickness only

### Reliable Technical Data

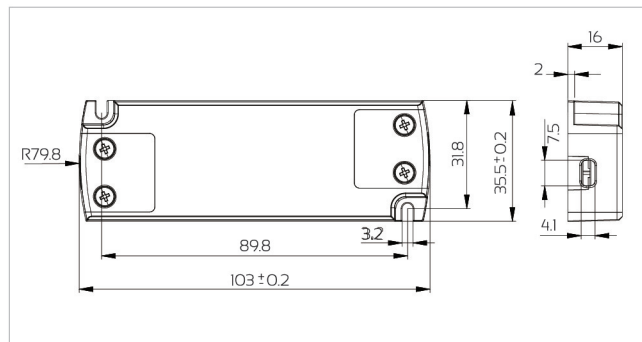
- Input Voltage Range:200-240VAC
- Input Frequency:50/60Hz
- Output Power:15W/20W
- Body: PC
- Open Circuit; Short Circuit; Over Load;

- Safety According to EN61347-1, EN61347-2-13
- EMI According to EN55015
- EMS According to EN61000-3-2; EN61000-3-3; EN61547
- EMF According to EN62493
- ERP According to EU2019-2020

Comply to latest EN IEC 61000-3-2:2019



### Dimension in mm



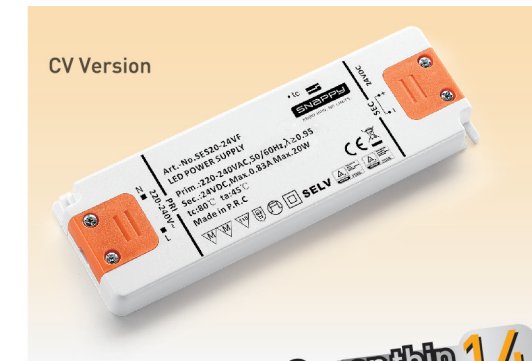
### Characteristics

Input Voltage Range: AC200-240V 50/60Hz (power factor measured at AC230V and full load)

Model No.	Constant output voltage	Load	Max output current	PF	Ta	Tc	L x W x H
SE15-12VF	12V	0-15W	1.25A	≥0.8	45°C	85°C	103x35.5x16
SE15-24VF	24V	0-15W	0.625A	≥0.8	45°C	85°C	103x35.5x16
SE20-12VF	12V	0-20W	1.67A	≥0.84	45°C	85°C	103x35.5x16
SE20-24VF	24V	0-20W	0.84A	≥0.84	45°C	85°C	103x35.5x16
Model No.	Constant output current	Load	Output current range	PF	Ta	Tc	L x W x H
SE15-300IF	300mA	8.7-15W	29-50V	≥0.80	45°C	85°C	103x35.5x16
SE15-340IF	340mA	8.7-15W	26-44V	≥0.80	45°C	85°C	103x35.5x16
SE15-350IF	350mA	7.5-15W	21.4-42.8V	≥0.80	45°C	80°C	103x35.5x16
SE15-500IF	500mA	7.5-15W	15-30V	≥0.80	45°C	80°C	103x35.5x16
SE15-700IF	700mA	7.5-15W	10.7-21.4V	≥0.80	45°C	80°C	103x35.5x16
SE20-350IF	350mA	10-20W	28.6-57.2V	≥0.80	45°C	85°C	103x35.5x16
SE20-500IF	500mA	10-20W	20-40V	≥0.80	45°C	85°C	103x35.5x16
SE20-700IF	700mA	10-20W	14.3-28.6V	≥0.80	45°C	85°C	103x35.5x16



## SS/SES20-VF SS/SES30-VF SS/SES40-VF



**Super thin 14 mm**  
Thickness only

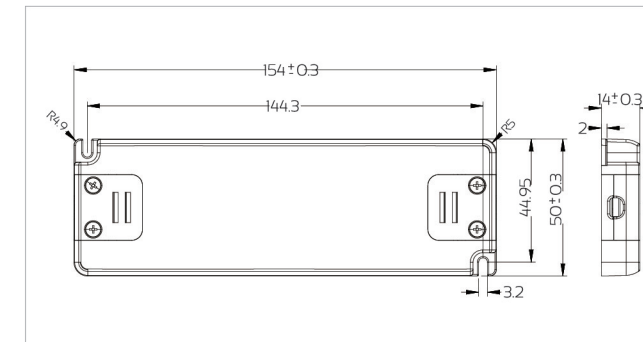
### Reliable Technical Data

- Input Voltage Range:220-240AC
- Input Frequency:50/60Hz
- Output Power:20W/30W/40W
- Body: PC
- Open Circuit; Short Circuit; Over Load;

- Safety According to EN61347-1, EN61347-2-13
- EMI According to EN55015
- EMS According to EN61000-3-2; EN61000-3-3; EN61547
- EMF According to EN62493
- ERP According to EU2019-2020



### Dimension in mm



### Characteristics

Input Voltage Range: AC220-240V 50/60Hz (power factor measured at AC230V and full load)

Model No.	Constant output voltage	Load	Max output current	PF	Ta	Tc	L x W x H
SS/SES20-12VF	12V	0-20W	1.67A	≥0.95	45°C	80°C	154x50x14
SS/SES20-24VF	24V	0-20W	0.84A	≥0.95	45°C	80°C	154x50x14
SS/SES30-12VF	12V	0-30W	2.5A	≥0.95	45°C	85°C	154x50x14
SS/SES30-24VF	24V	0-30W	1.25A	≥0.95	45°C	85°C	154x50x14
SS/SES30-48VF	48V	0-30W	0.625A	≥0.95	45°C	85°C	154x50x14
SS/SES40-12VF	12V	0-40W	3.33A	≥0.95	45°C	85°C	154x50x14
SS/SES40-24VF	24V	0-40W	1.67A	≥0.95	45°C	85°C	154x50x14





# IP20 Super Slim Series

SS/SES50-VF  
SS/SES60-VF  
SS/SES75-VF

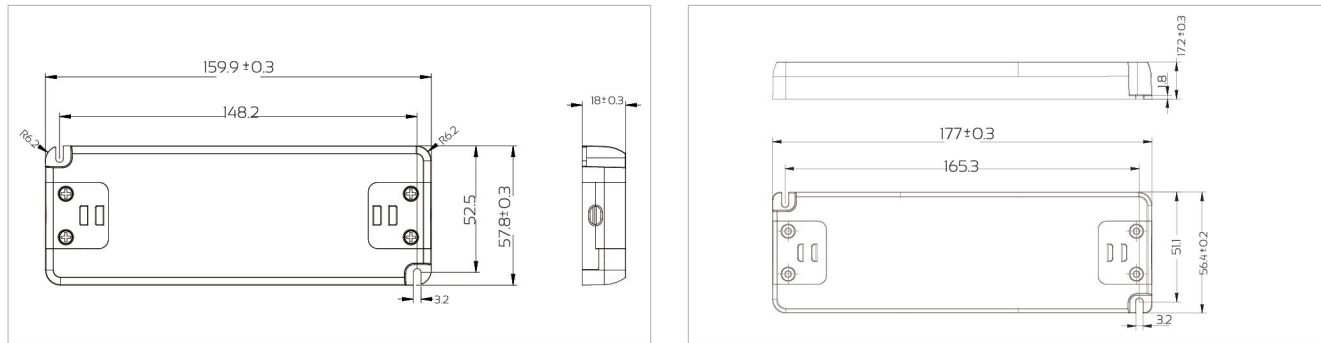


## Reliable Technical Data

- Input Voltage Range: 220-240VAC
  - Input Frequency: 50/60Hz
  - Output Power: 50W/60W/75W
  - Body: PC
  - Open Circuit; Short Circuit; Over Load;
- 
- Safety According to EN61347-1, EN61347-2-13
  - EMI According to EN55015
  - EMS According to EN61000-3-2; EN61000-3-3; EN61547
  - EMF According to EN62493
  - ERP According to EU2019-2020



## Dimension in mm



## Characteristics

Input Voltage Range: AC220-240V 50/60Hz (power factor measured at AC230V and full load)

Model No.	Constant output voltage	Load	Max output current	PF	Ta	Tc	L x W x H
SS/SES50-12VF	12V	0-50W	4.17A	≥0.97	45°C	80°C	159.9x57.8x18
SS/SES50-24VF	24V	0-50W	2.08A	≥0.97	45°C	80°C	159.9x57.8x18
SS/SES60-12VF	12V	0-60W	5.0A	≥0.95	45°C	85°C	159.9x57.8x18
SS/SES60-24VF	24V	0-60W	2.5A	≥0.95	45°C	85°C	159.9x57.8x18
SS/SES60-48VF	48V	0-60W	1.25A	≥0.95	45°C	85°C	159.9x57.8x18
SS/SES75-12VF	12V	0-75W	6.25A	≥0.95	45°C	90°C	177x56.4x17.2
SS/SES75-24VF	24V	0-75W	3.125A	≥0.95	45°C	90°C	177x56.4x17.2



## SNP100-VF-2/SNP150-VF-2

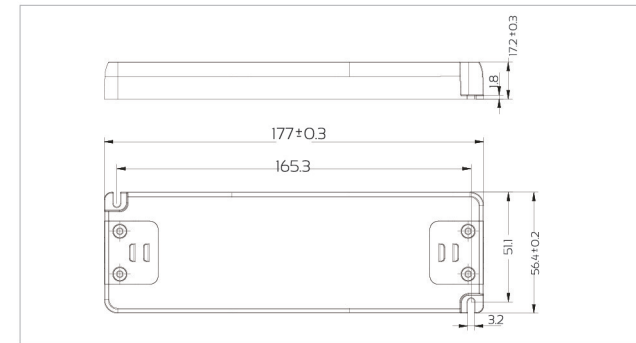


## Reliable Technical Data

- Input Voltage Range: 200-240VAC
  - Input Frequency: 50/60Hz
  - Output Power: 100W/150W
  - Body: PC
  - Open Circuit; Short Circuit; Over Load;
  - Over Heat Protection
- 
- Safety According to EN61347-1, EN61347-2-13
  - EMI According to EN55015
  - EMS According to EN61000-3-2; EN61000-3-3; EN61547
  - EMF According to EN62493
  - ERP According to EU2019-2020



## Dimension in mm



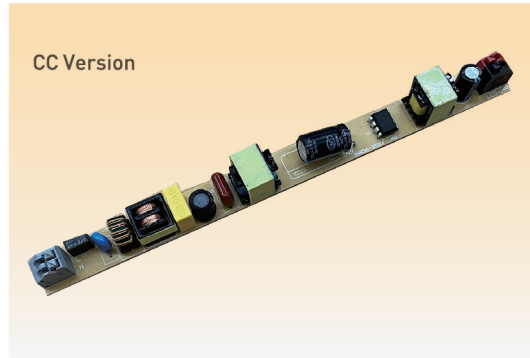
## Characteristics

Input Voltage Range: AC200-240V 50/60Hz (power factor measured at AC230V and full load)

Model No.	Constant output voltage	Load	Max output current	PF	Ta	Tc	L x W x H
SNP100-12VF-2	12V	0-100W	8.33A	≥0.95	45°C	90°C	177x56.4x17.2
SNP100-24VF-2	24V	0-100W	4.17A	≥0.95	45°C	90°C	177x56.4x17.2
SNP100-48VF-2	48V	0-100W	2.08A	≥0.95	45°C	90°C	177x56.4x17.2
SNP150-12VF-2	12V	0-132W	11A	≥0.95	45°C	90°C	177x56.4x17.2
SNP150-24VF-2	24V	0-150W	6.25A	≥0.95	45°C	90°C	177x56.4x17.2



## SNB8-IF



### Reliable Technical Data

- Input Voltage Range: 220-240VAC
- Input Frequency: 50/60Hz
- Output Power: 8W/21W/36W
- Open Circuit; Short Circuit; Over Load;

- Safety According to EN61347-1, EN61347-2-13
- EMI According to EN55015
- EMS According to EN61000-3-2; EN61000-3-3; EN61547
- EMF According to EN62493
- ERP According to EU2019-2020



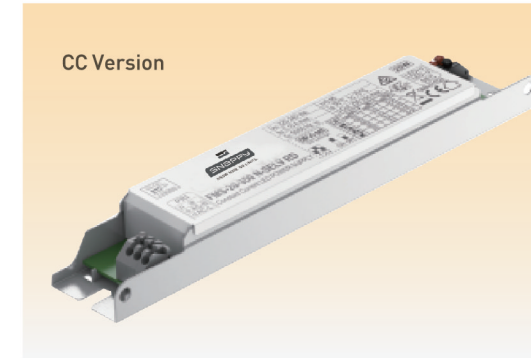
### Characteristics

Input Voltage Range: AC220-240V 50/60Hz (power factor measured at AC230V and full load)

Model No.	Constant output current	Load	Output current range	PF	Ta	Tc	L x W x H
SNB8-80IF	80mA	5-8W	60-100V	≥0.5	45°C	NA	Pending
SNB21-240IF	240mA	12-21W	50-88V	≥0.5	45°C	NA	Pending
SNB36-350IF	350mA	22-36W	62-103V	≥0.9	45°C	NA	Pending



## SG20-IL/SG42-IL/SG60-IL



### Reliable Technical Data

- Input Voltage Range: 176-264VAC
- Input Frequency: 50/60Hz
- Output Power: 20W/42W/60W
- Body: PC
- Open Circuit; Short Circuit; Over Load;

- Safety According to EN61347-1, EN61347-2-13
- EMI According to EN55015
- EMS According to EN61000-3-2; EN61000-3-3; EN61547
- EMF According to EN62493
- ERP According to EU2019-2020



### Characteristics

Input Voltage Range: AC176-264V 50/60Hz (power factor measured at AC230V and full load)

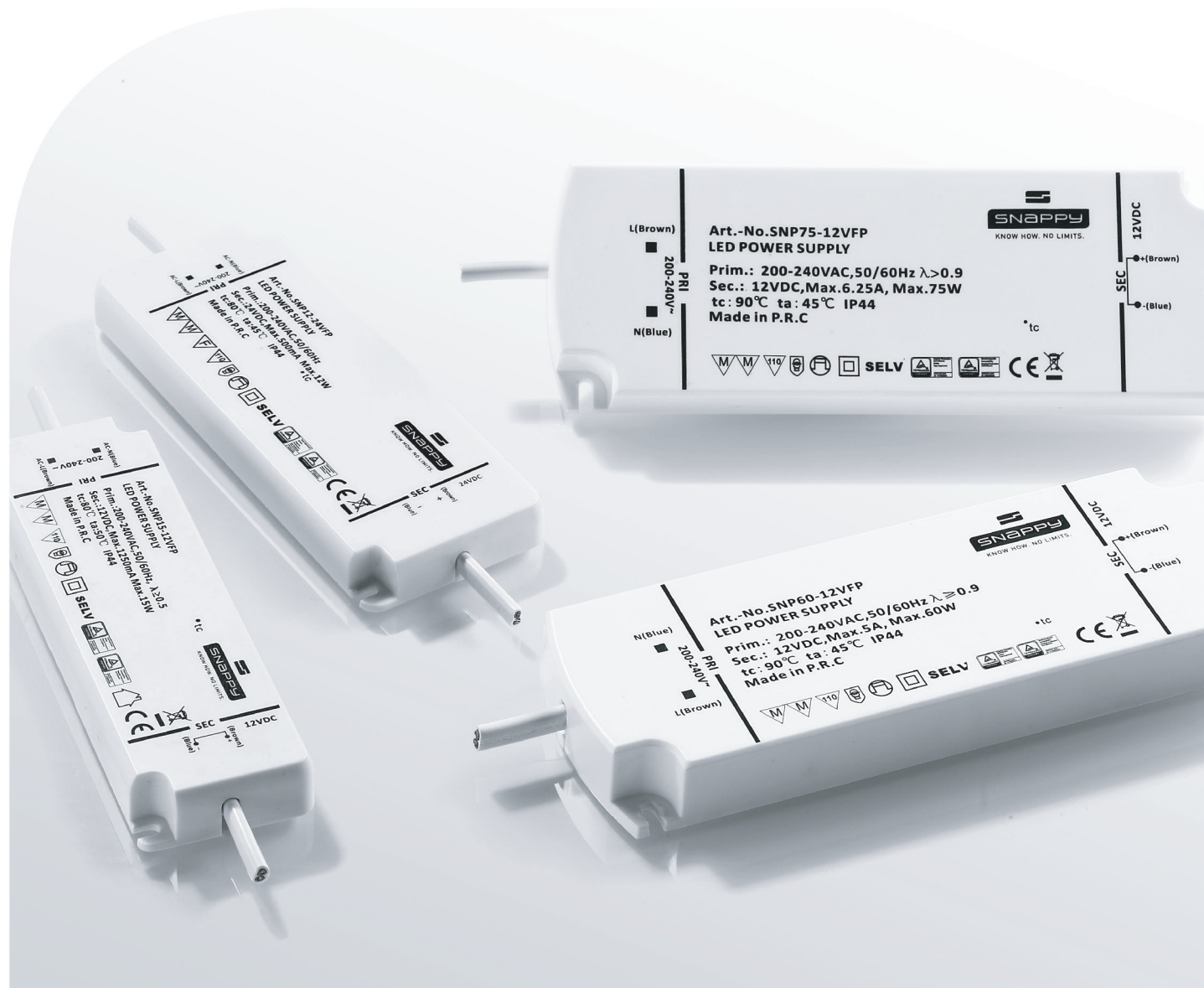
Model No.	Constant output current	Load	Output current range	PF	Ta	Tc	L x W x H
SG20-350IL	350mA	9-20W	25-55V	≥0.9	50°C	80°C	150x40x30
SG42-350IL	350mA	18-42W	50-120V	≥0.9	50°C	85°C	200x40x30
SG60-350IL	350mA	38-60W	110-180V	≥0.9	50°C	85°C	250x40x30



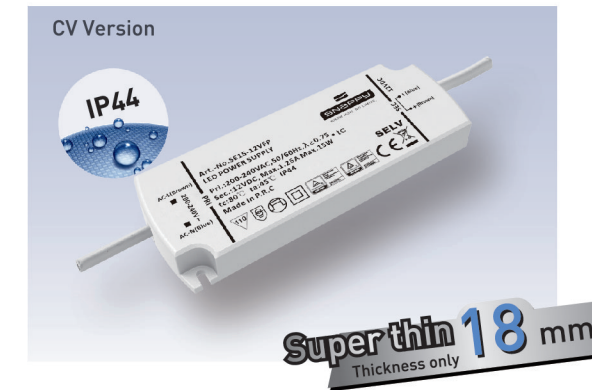


# Regular & Super Slim Series

## IP44 Super Slim Series



### SE15-VFP/SE20-VFP

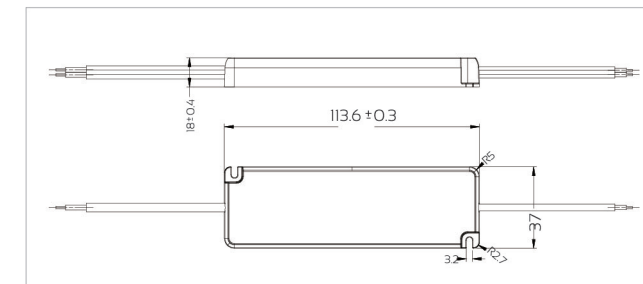


#### Reliable Technical Data

- Input Voltage Range: 200-240VAC
  - Input Frequency: 50/60Hz
  - Output Power: 15W/20W
  - Dimension: L113.6xW37xH18mm
  - Body: PC Body with Protection Grade IP44
  - Open Circuit; Short Circuit; Over Load;
  - Over Heat Protection
- 
- Safety According to EN61347-1, EN61347-2-13
  - EMI According to EN55015
  - EMS According to EN61000-3-2; EN61000-3-3; EN61547
  - EMF According to EN62493
  - ERP According to EU2019-2020



#### Dimension in mm



#### Characteristics

Input Voltage Range: AC200-240V 50/60Hz [power factor measured at AC230V and full load]

Model No.	Constant output voltage	Load	Max output Current	PF	Ta	Tc	L x W x H	IP
SE15-12VFP	12V	0-15W	1.25A	≥0.75	45°C	80°C	113.6x37x18	IP44
SE15-24VFP	24V	0-15W	0.625A	≥0.75	45°C	80°C	113.6x37x18	IP44
SE20-12VFP	12V	0-20W	1.67A	≥0.8	45°C	85°C	113.6x37x18	IP44
SE20-24VFP	24V	0-20W	0.833A	≥0.8	45°C	85°C	113.6x37x18	IP44



SS/SES30-VFP  
SS/SES40-VFP

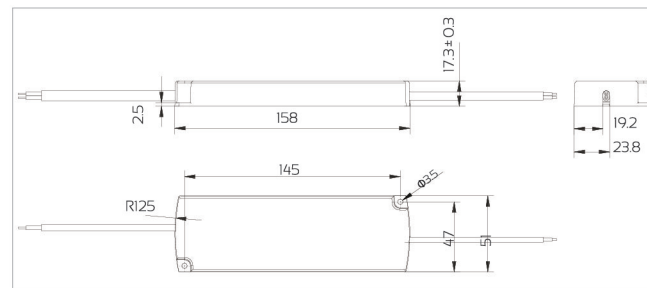


### Reliable Technical Data

- Input Voltage Range:220-240VAC
  - Input Frequency:50/60Hz
  - Output Power:30W/40W
  - Dimension:L158xW51xH17.3mm
  - Body: PC Body with Protection Grade IP44
  - Open Circuit; Short Circuit; Over Load;
  - Over Heat Protection
- Safety According to EN61347-1, EN61347-2-13
  - EMI According to EN55015
  - EMS According to EN61000-3-2; EN61000-3-3; EN61547
  - EMF According to EN62493
  - ERP According to EU2019-2020



### Dimension in mm



### Characteristics

Input Voltage Range: AC220-240V 50/60Hz (power factor measured at AC230V and full load)

Model No.	Constant output voltage	Load	Max output Current	PF	Ta	Tc	L x W x H	IP
SS/SES30-12VFP	12V	0-30W	2.5A	≥0.95	45°C	85°C	158x51x17.3	IP44
SS/SES30-24VFP	24V	0-30W	1.25A	≥0.95	45°C	85°C	158x51x17.3	IP44
SS/SES40-12VFP	12V	0-40W	3.33A	≥0.95	45°C	85°C	158x51x17.3	IP44
SS/SES40-24VFP	24V	0-40W	1.67A	≥0.95	45°C	85°C	158x51x17.3	IP44



SS/SES60-VFP

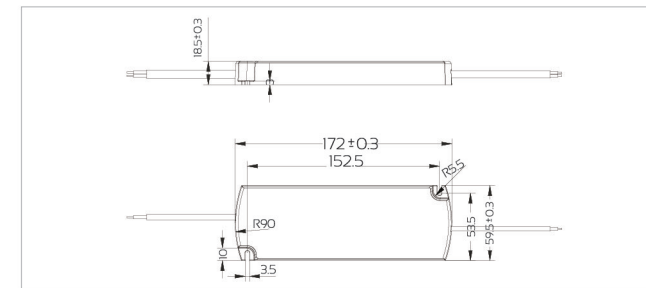


### Reliable Technical Data

- Input Voltage Range:220-240VAC
  - Input Frequency:50/60Hz
  - Output Power:60W
  - Dimension:L172xW59.5xH18.5mm
  - Body: PC Body with Protection Grade IP44
  - Open Circuit; Short Circuit; Over Load;
  - Over Heat Protection
- Safety According to EN61347-1, EN61347-2-13
  - EMI According to EN55015
  - EMS According to EN61000-3-2; EN61000-3-3; EN61547
  - EMF According to EN62493-2010
  - ERP According to EU2019-2020



### Dimension in mm



### Characteristics

Input Voltage Range: AC220-240V 50/60Hz (power factor measured at AC230V and full load)

Model No.	Constant output voltage	Load	Max output Current	PF	Ta	Tc	L x W x H	IP
SS/SES60-12VFP	12V	0-60W	5.0A	≥0.95	45°C	85°C	172x59.5x18.5	IP44
SS/SES60-24VFP	24V	0-60W	2.5A	≥0.95	45°C	85°C	172x59.5x18.5	IP44





## SNP75-VFP

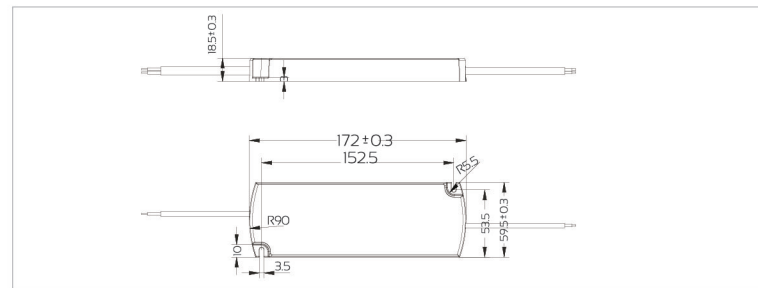


### Reliable Technical Data

- Input Voltage Range:200-240VAC
  - Input Frequency:50/60Hz
  - Output Power:75W
  - Dimension:L172xW59.5xH18.5mm
  - Body: PC Body with Protection Grade IP44
  - Open Circuit; Short Circuit; Over Load;
  - Over Heat Protection
- Safety According to EN61347-1, EN61347-2-13
  - EMI According to EN55015
  - EMS According to EN61000-3-2; EN61000-3-3; EN61547
  - EMF According to EN62493
  - ERP According to EN1194-2012



### Dimension in mm



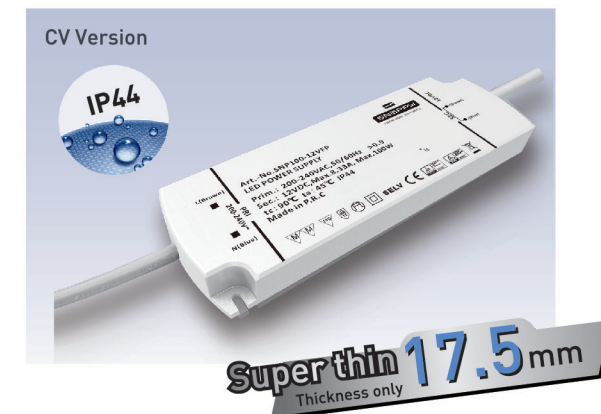
### Characteristics

Input Voltage Range: AC200-240V 50/60Hz (power factor measured at AC230V and full load)

Model No.	Constant output voltage	Load	Max output Current	PF	Ta	Tc	L x W x H	IP
SNP75-12VFP	12V	0-75W	6.25A	≥0.9	45°C	90°C	172x59.5x18.5	IP44
SNP75-24VFP	24V	0-75W	3.12A	≥0.9	45°C	90°C	172x59.5x18.5	IP44



## SNP100-VFP

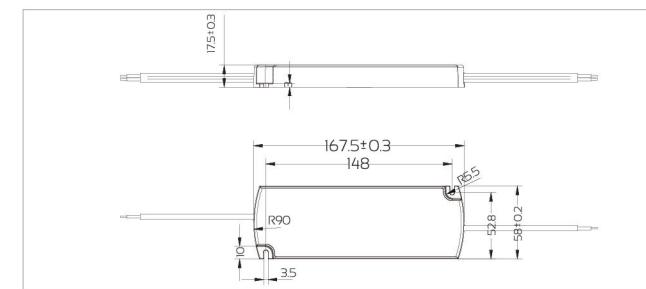


### Reliable Technical Data

- Input Voltage Range:200-240VAC
  - Input Frequency:50/60Hz
  - Output Power:100W
  - Dimension:L167.5xW58xH17.5mm
  - Body: PC Body with Protection Grade IP44
  - Open Circuit; Short Circuit; Over Load;
  - Over Heat Protection
- Safety According to EN61347-1, EN61347-2-13
  - EMI According to EN55015
  - EMS According to EN61000-3-2; EN61000-3-3; EN61547
  - EMF According to EN62493
  - ERP According to EN1194-2012



### Dimension in mm



### Characteristics

Input Voltage Range: AC200-240V 50/60Hz (power factor measured at AC230V and full load)

Model No.	Constant output voltage	Load	Max output Current	PF	Ta	Tc	L x W x H	IP
SNP100-12VFP	12V	0-100W	8.33A	≥0.9	45°C	90°C	167.5x58x17.5	IP44
SNP100-24VFP	24V	0-100W	4.17A	≥0.9	45°C	90°C	167.5x58x17.5	IP44



# Regular & Super Slim Series

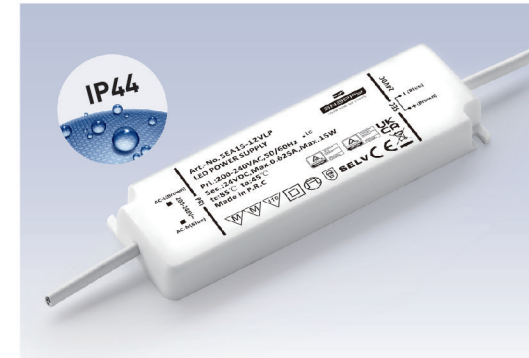
## IP44 SEA Series



LED drivers with plastic case for indoor LED lighting  
Open Circuit; Short Circuit; Over Load, Over Heat Protection

SEA15-VLP

NEW!



### Reliable Technical Data

- Input Voltage Range:200-240VAC
- Input Frequency:50/60Hz
- Output Power:15W
- Dimension:Pending
- Body: PC Body with Protection Grade IP44
- Open Circuit; Short Circuit; Over Load;
- Over Heat Protection

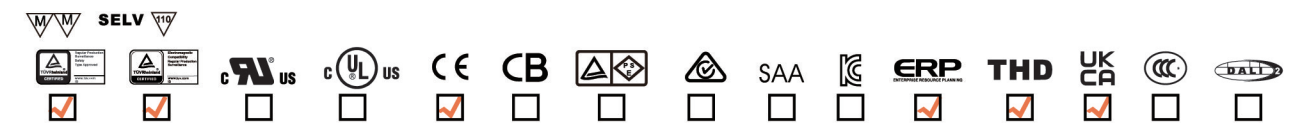
- Safety According to EN61347-1, EN61347-2-13
- EMI According to EN55015
- EMS According to EN61000-3-2; EN61000-3-3; EN61547
- EMF According to EN62493
- ERP According to EU2019-2020



### Characteristics

Input Voltage Range :200-240VAC 50/60Hz (power factor measured at AC230V and full load)

Model No.	Constant output voltage	Power	Max output current	PF	Ta	Tc	L x W x H	IP
SEA15-12VLP	12V	0-15W	1.25A	≥0.84	45°C	85°C	Pending	IP44
SEA15-24VLP	24V	0-15W	0.625A	≥0.84	45°C	85°C	Pending	IP44







SNP30-VMCCT-T/SNP30-VMCCT-IR  
SNP60-VMCCT-T/SNP60-VMCCT-IR  
SNP60-12VMCCT-T3

NEW!



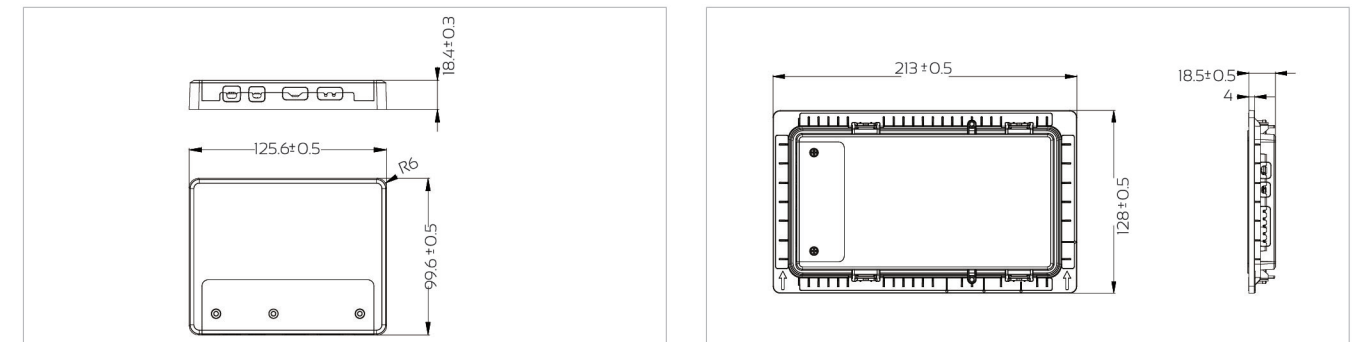
Especially design for mirror with touch dimming function

Reliable Technical Data

- Input Voltage Range:220-240VAC
- Input Frequency:50/60Hz
- Output Power:30W/60W
- Body: PC
- Open Circuit; Short Circuit; Over Load;
- Safety According to EN61347-1, EN61347-2-13
- EMI According to EN55015
- EMS According to EN61000-3-2; EN61000-3-3; EN61547
- EMF According to EN62493
- ERP According to EU2019-2020



Dimension in mm



Characteristics

Input Voltage Range: AC220-240V 50/60Hz (power factor measured at AC230V and full load)

Model No.	Constant output voltage	Load	Max output current	PF	Ta	Tc	L x W x H	IP
SNP30-12VMCCT-T	12V	0-30W	2.5A	≥0.96	45°C	85°C	125.6x99.6x18.4	IP44
SNP30-12VMCCT-IR	12V	0-30W	2.5A	≥0.96	45°C	85°C	125.6x99.6x18.4	IP44
SNP60-12VMCCT-T	12V	0-60W	5A	≥0.96	45°C	85°C	125.6x99.6x18.4	IP44
SNP60-12VMCCT-IR	12V	0-60W	5A	≥0.96	45°C	85°C	125.6x99.6x18.4	IP44
SNP60-12VMCCT-T3	12V	0-60W	5A	≥0.97	45°C	90°C	213x128x18.5	IP44



# ♥ Built-in Connector Series

SNP20-VFC-UE/SNP40-VFC-UE  
SNP50-VFC-UE/SNP72-VFC-UE  
SNP90-VFC-UE

NEW!

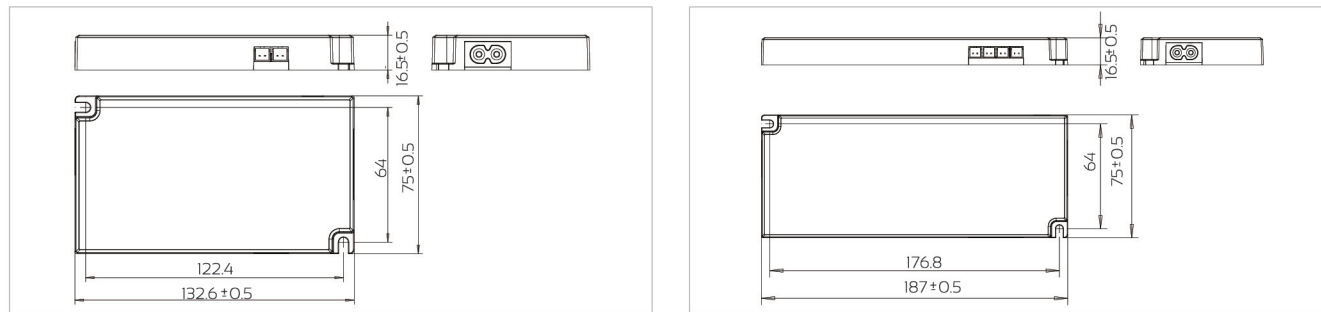


## Reliable Technical Data

- Input Voltage Range:100-240VAC
  - Input Frequency:50/60Hz
  - Output Power:20W/40W/50W/72W/90W
  - Body: PC
  - Open Circuit; Short Circuit; Over Load;
- 
- Safety According to EN61347-1, EN61347-2-13
  - EMI According to EN55015
  - EMS According to EN61000-3-2; EN61000-3-3; EN61547
  - EMF According to EN62493
  - ERP According to EU2019-2020
  - Conforms to UL Std. 8750



## Dimension in mm



## Characteristics

Input Voltage Range: AC100-240V 50/60Hz (power factor measured at AC230V and full load)

Model No.	Constant output voltage	Load	Max output current	PF	Ta	Tc	L x W x H
SNP20-12VFC-UE	12V	0-20W	1.7A	≥0.8	45°C	80°C	132.6x75x16.5
SNP20-24VFC-UE	24V	0-20W	0.83A	≥0.8	45°C	80°C	132.6x75x16.5
SNP40-12VFC-UE	12V	0-40W	3.33A	≥0.9	40°C	85°C	187x75x16.5
SNP40-24VFC-UE	24V	0-40W	1.66A	≥0.9	40°C	85°C	187x75x16.5
SNP50-12VFC-UE	12V	0-50W	4.16A	≥0.9	40°C	85°C	187x75x16.5
SNP50-24VFC-UE	24V	0-50W	2.1A	≥0.9	40°C	85°C	187x75x16.5
SNP72-12VFC-UE	12V	0-72W	6A	≥0.97	45°C	90°C	234.5x75x16.5
SNP72-24VFC-UE	24V	0-72W	3A	≥0.96	45°C	80°C	234.5x75x16.5
SNP90-24VFC-UE	24V	0-90W	3.75A	≥0.95	40°C	85°C	234.5x75x16.5



## SNP30-VFC/SNP60-VFC/SNP100-VFC

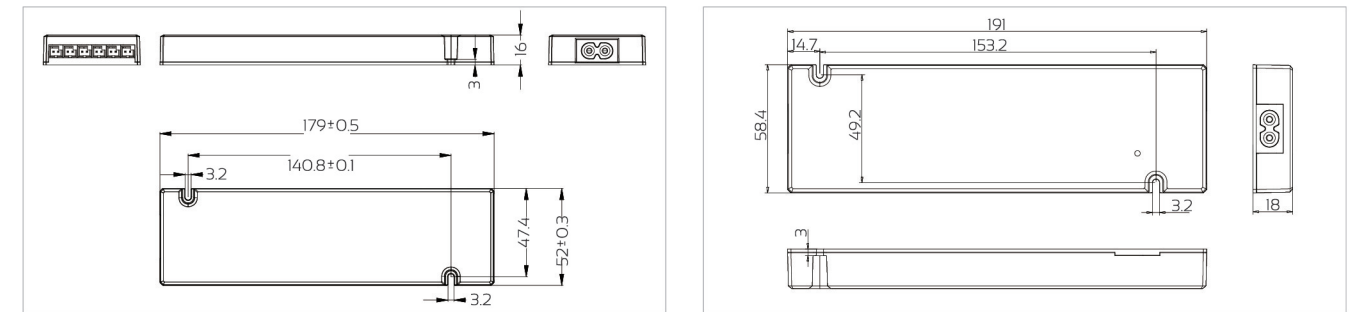


## Reliable Technical Data

- Input Voltage Range:200-240VAC
  - Input Frequency:50/60Hz
  - Output Power:30W/60W/100W
  - Body: PC
  - Open Circuit; Short Circuit; Over Load;
- 
- Safety According to EN61347-1, EN61347-2-13
  - EMI According to EN55015
  - EMS According to EN61000-3-2; EN61000-3-3; EN61547
  - EMF According to EN62493
  - ERP According to EU2019-2020



## Dimension in mm



## Characteristics

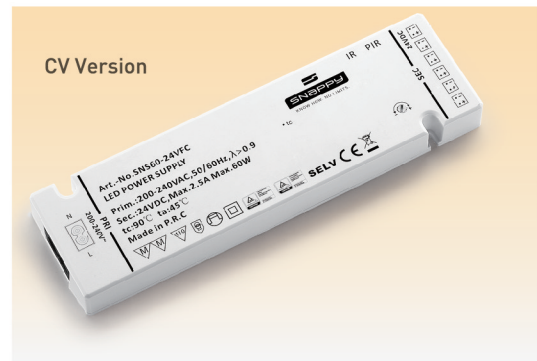
Input Voltage Range: AC200-240V 50/60Hz (power factor measured at AC230V and full load)

Model No.	Constant output voltage	Load	Max output current	PF	Ta	Tc	L x W x H
SNP30-12VFC	12V	0-30W	2.5A	≥0.9	45°C	90°C	179x52x16
SNP30-24VFC	24V	0-30W	1.25A	≥0.9	45°C	90°C	179x52x16
SNP60-12VFC	12V	0-60W	5.0A	≥0.9	45°C	90°C	191x58.4x18
SNP60-24VFC	24V	0-60W	2.5A	≥0.9	45°C	90°C	191x58.4x18
SNP100-12VFC	12V	0-100W	8.33A	≥0.9	45°C	90°C	191x58.4x18
SNP100-24VFC	24V	0-100W	4.17A	≥0.9	45°C	90°C	191x58.4x18





SNS30-VFC/SNS60-VFC/SNS100-VFC



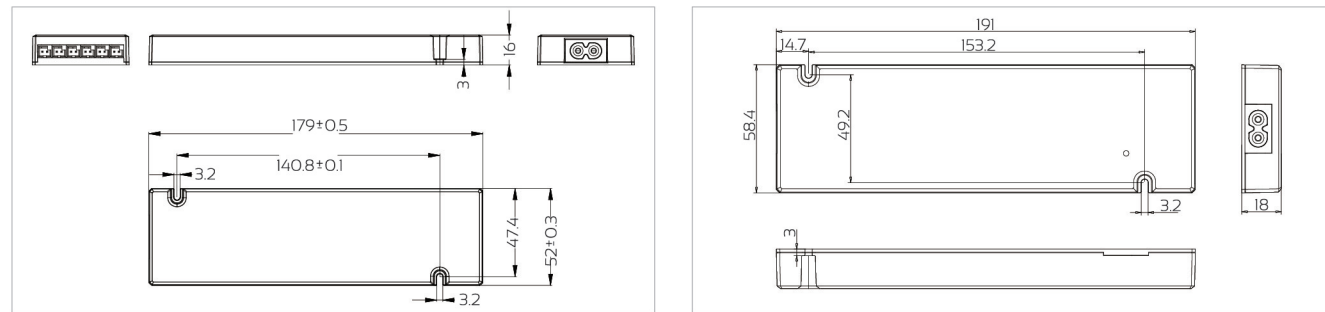
Reliable Technical Data

- Input Voltage Range:200-240VAC
- Input Frequency:50/60Hz
- Output Power:30W/60W/100W
- Body: PC
- Open Circuit; Short Circuit; Over Load;
- Safety According to EN61347-1, EN61347-2-13
- EMI According to EN55015
- EMS According to EN61000-3-2; EN61000-3-3; EN61547
- EMF According to EN62493
- ERP According to EU2019-2020

IR, PIR sensors optional



Dimension in mm



Characteristics

Input Voltage Range: AC200-240V 50/60Hz (power factor measured at AC230V and full load)

Model No.	Constant output voltage	Load	Max output current	PF	Ta	Tc	L x W x H
SNS30-12VFC	12V	0-30W	2.5A	≥0.9	45°C	90°C	179x52x16
SNS30-24VFC	24V	0-30W	1.25A	≥0.9	45°C	90°C	179x52x16
SNS60-12VFC	12V	0-60W	5.0A	≥0.9	45°C	90°C	191x58.4x18
SNS60-24VFC	24V	0-60W	2.5A	≥0.9	45°C	90°C	191x58.4x18
SNS100-12VFC	12V	0-100W	8.33A	≥0.9	45°C	90°C	191x58.4x18
SNS100-24VFC	24V	0-100W	4.17A	≥0.9	45°C	90°C	191x58.4x18



SL30-VFC(UE)/SL60-VFC(UE)  
SL100-VFC(UE)

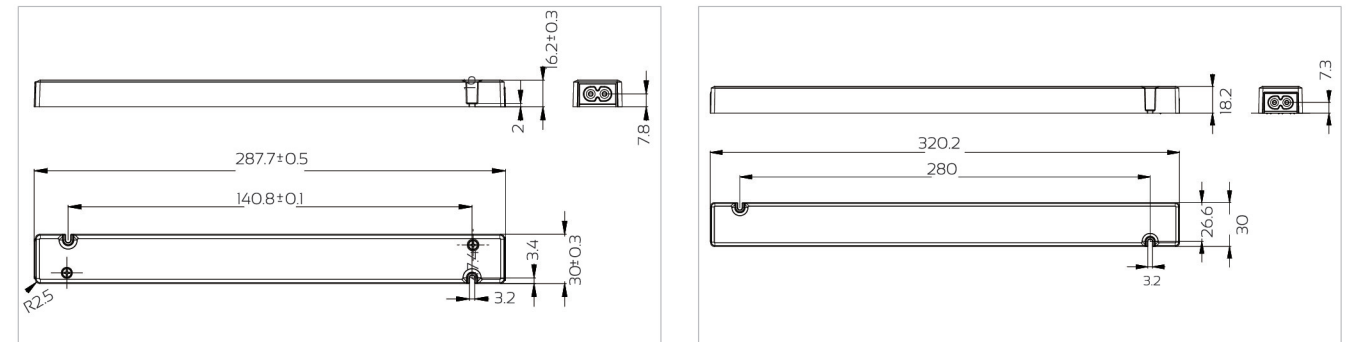


Reliable Technical Data

- Input Voltage Range:100-240VAC
- Input Frequency:50/60Hz
- Output Power:30W/60W/100W
- Body: PC
- Open Circuit; Short Circuit; Over Load;
- Safety According to EN61347-1, EN61347-2-13
- EMI According to EN55015
- EMS According to EN61000-3-2; EN61000-3-3; EN61547
- EMF According to EN62493
- ERP According to EU2019-2020
- Conforms to UL Std. 8750



Dimension in mm



Characteristics

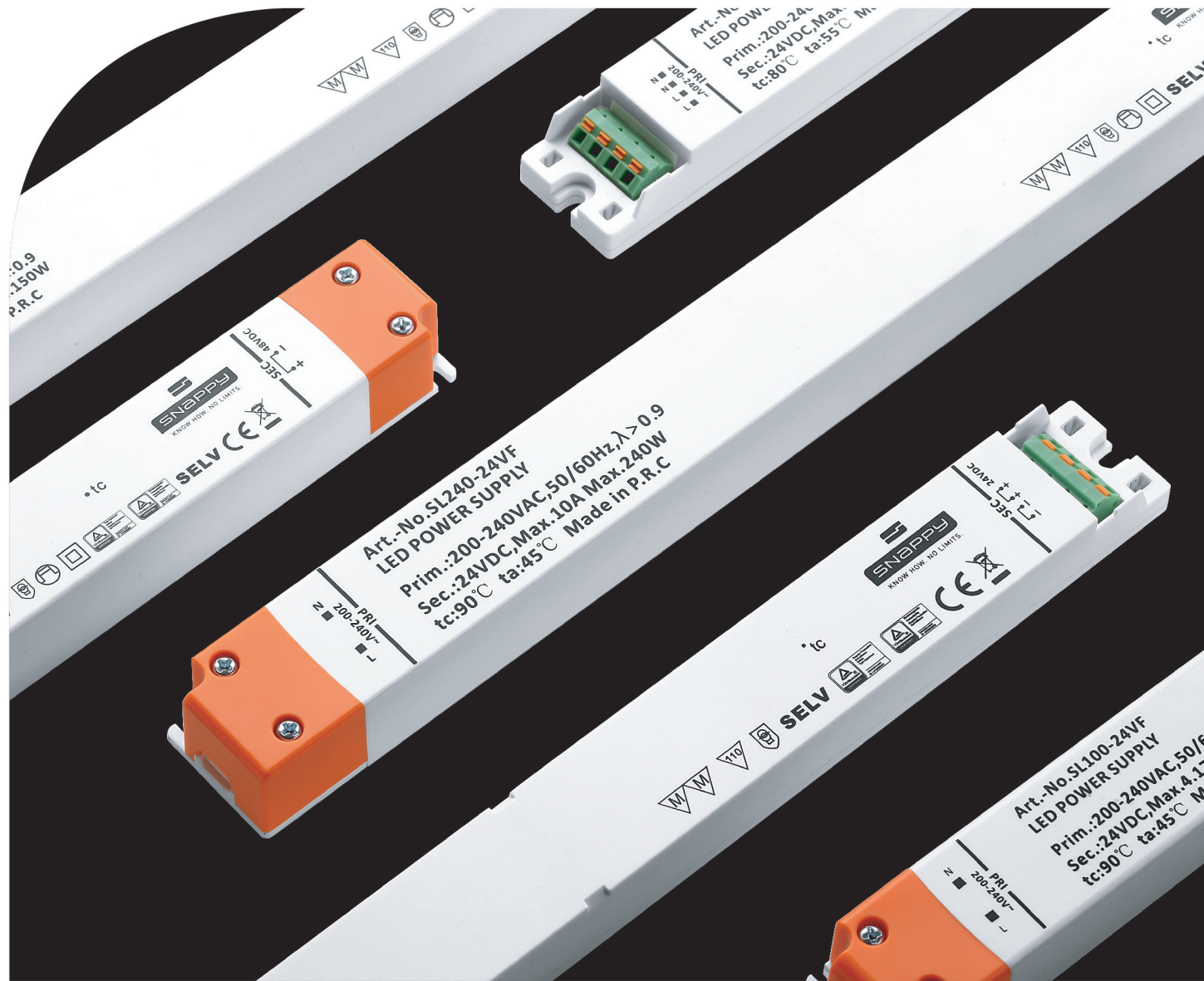
Input Voltage Range: AC100-240V 50/60Hz (power factor measured at AC230V and full load)

Model No.	Constant output voltage	Load	Max output current	PF	Ta	Tc	L x W x H
SL30-12VFC(UE)	12V	0-30W (For Europe only)	2.5A	≥0.9	45°C	75°C	287.7x30x16.2
	12V	0-30W (For North America only)	2.5A	≥0.9	25°C	75°C	287.7x30x16.2
SL30-24VFC(UE)	24V	0-30W (For Europe only)	1.25A	≥0.9	45°C	75°C	287.7x30x16.2
	24V	0-30W (For North America only)	1.25A	≥0.9	25°C	75°C	287.7x30x16.2
SL60-12VFC(UE)	12V	0-60W (For Europe only)	5.0A	≥0.9	45°C	90°C	320.2x30x18.2
	12V	0-60W (For North America only)	5.0A	≥0.9	25°C	75°C	320.2x30x18.2
SL60-24VFC(UE)	24V	0-60W (For Europe only)	2.5A	≥0.9	45°C	90°C	320.2x30x18.2
	24V	0-60W (For North America only)	2.5A	≥0.9	25°C	75°C	320.2x30x18.2
SL100-24VFC(UE)	24V	0-100W (For Europe only)	4.17A	≥0.95	45°C	90°C	320.2x30x18.2
	24V	0-96W (For North America only)	4.0A	≥0.95	25°C	75°C	320.2x30x18.2



# Indoor Linetype LED Power Supply

## IP20 Linear Type Series



### SL30-VF/SNP45-VF-1



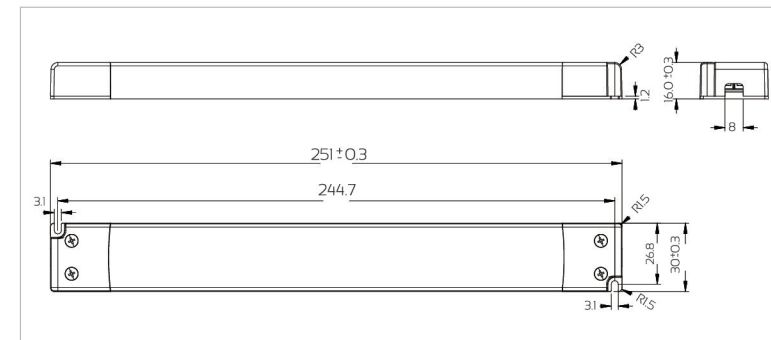
#### Reliable Technical Data

- Input Voltage Range:220-240VAC
- Input Frequency:50/60Hz
- Output Power:30W/45W
- Body: PC
- Open Circuit; Short Circuit; Over Load;

- Safety According to EN61347-1, EN61347-2-13
- EMI According to EN55015
- EMS According to EN61000-3-2; EN61000-3-3; EN61547
- EMF According to EN62493
- ERP According to EU2019-2020



#### Dimension in mm



#### Characteristics

Input Voltage Range: AC220-240V 50/60Hz [power factor measured at AC230V and full load]

Model No.	Constant output voltage	Load	Max output current	PF	Ta	Tc	L x W x H
SL30-12VF	12V	0-30W	2.5A	≥0.9	45°C	85°C	251x30x16
SL30-24VF	24V	0-30W	1.25A	≥0.9	45°C	85°C	251x30x16
SL30-48VF	48V	0-30W	0.625A	≥0.9	45°C	85°C	251x30x16
SNP45-12VF-1	12V	0-45W	3.75A	≥0.9	45°C	80°C	251x30x16
SNP45-24VF-1	24V	0-45W	1.87A	≥0.9	45°C	80°C	251x30x16





## SL60-VF-1/SL75-VF

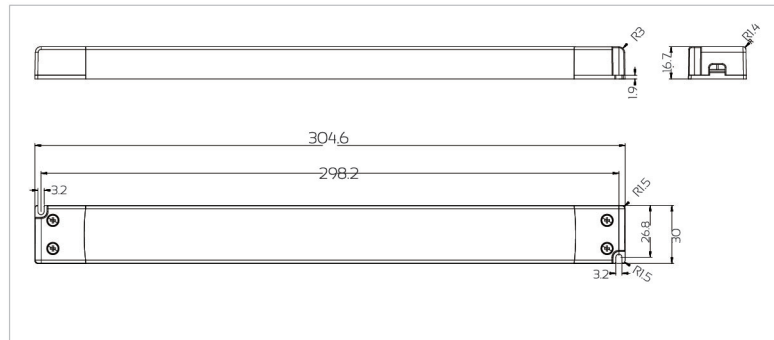


### Reliable Technical Data

- Input Voltage Range: 220-240VAC
- Input Frequency: 50/60Hz
- Output Power: 60W/75W
- Body: PC
- Open Circuit; Short Circuit; Over Load;
- Safety According to EN61347-1, EN61347-2-13
- EMI According to EN55015
- EMS According to EN61000-3-2; EN61000-3-3; EN61547
- EMF According to EN62493
- ERP According to EU2019-2020



### Dimension in mm



### Characteristics

Input Voltage Range: AC220-240V 50/60Hz (power factor measured at AC230V and full load)

Model No.	Constant output voltage	Load	Max output current	PF	Ta	Tc	L x W x H
SL60-12VF-1	12V	0-60W	5.0A	≥0.9	45°C	90°C	304.6x30x16.7
SL60-24VF-1	24V	0-60W	2.5A	≥0.9	45°C	90°C	304.6x30x16.7
SL60-48VF-1	48V	0-60W	1.25A	≥0.9	45°C	85°C	304.6x30x16.7
SL75-12VF	12V	0-75W	6.25A	≥0.9	45°C	90°C	304.6x30x16.7
SL75-24VF	24V	0-75W	3.125A	≥0.9	45°C	90°C	304.6x30x16.7
SL75-48VF	48V	0-75W	1.56A	≥0.9	45°C	85°C	304.6x30x16.7



## SL100-VF-1/SL150-VF-1 NEW!

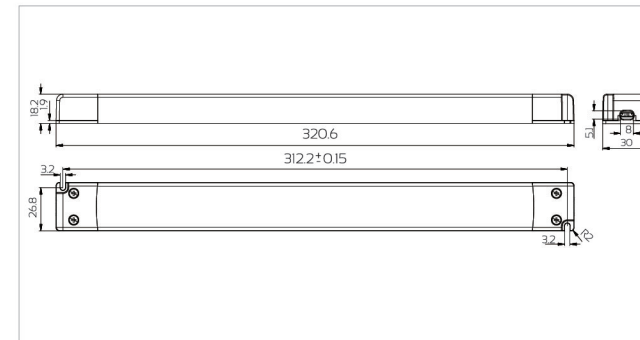


### Reliable Technical Data

- Input Voltage Range: 220-240VAC
- Input Frequency: 50/60Hz
- Output Power: 100W/150W
- Body: PC
- Open Circuit; Short Circuit; Over Load;
- Over Heat Protection
- Safety According to EN61347-1, EN61347-2-13
- EMI According to EN55015
- EMS According to EN61000-3-2; EN61000-3-3; EN61547
- EMF According to EN62493
- ERP According to EU2019-2020



### Dimension in mm



### Characteristics

Input Voltage Range: AC220-240V 50/60Hz (power factor measured at AC230V and full load)

Model No.	Constant output voltage	Load	Max output current	PF	Ta	Tc	L x W x H
SL100-12VF-1	12V	0-100W	8.33A	≥0.95	45°C	90°C	320.6x30x18.2
SL100-24VF-1	24V	0-100W	4.17A	≥0.95	45°C	90°C	320.6x30x18.2
SL100-48VF-1	48V	0-100W	2.08A	≥0.95	45°C	90°C	320.6x30x18.2
SL150-12VF-1	12V	0-132W	11A	≥0.95	45°C	90°C	320.6x30x18.2
SL150-24VF-1	24V	0-150W	6.25A	≥0.95	45°C	90°C	320.6x30x18.2
SL150-48VF-1	48V	0-150W	3.125A	≥0.95	45°C	90°C	320.6x30x18.2



SNP200-VF-1



Reliable Technical Data

- Input Voltage Range:220-240VAC
- Input Frequency:50/60Hz
- Output Power:200W
- Body: PC
- Open Circuit; Short Circuit; Over Load;
- Over Heat Protection
- Safety According to EN61347-1, EN61347-2-13
- EMI According to EN55015
- EMS According to EN61000-3-2; EN61000-3-3; EN61547
- EMF According to EN62493
- ERP According to EU2019-2020

SL200-VF/SL200-VF-1



SL240-VF/SL240-VF-1

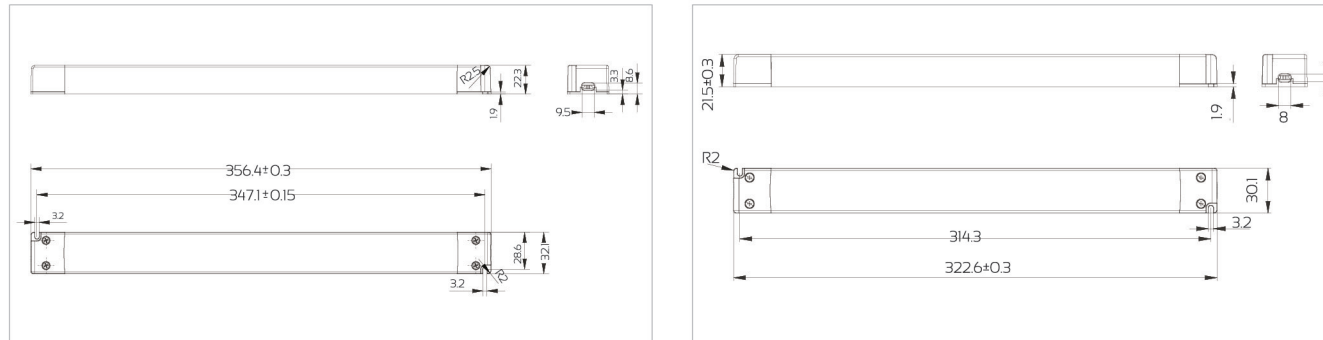


Reliable Technical Data

- Input Voltage Range:200-240VAC
- Input Frequency:50/60Hz
- Output Power:240W
- Body: PC
- Open Circuit; Short Circuit; Over Load;
- Over Heat Protection
- Safety According to EN61347-1, EN61347-2-13
- EMI According to EN55015
- EMS According to EN61000-3-2; EN61000-3-3; EN61547
- EMF According to EN62493
- ERP According to EU2019-2020



Dimension in mm



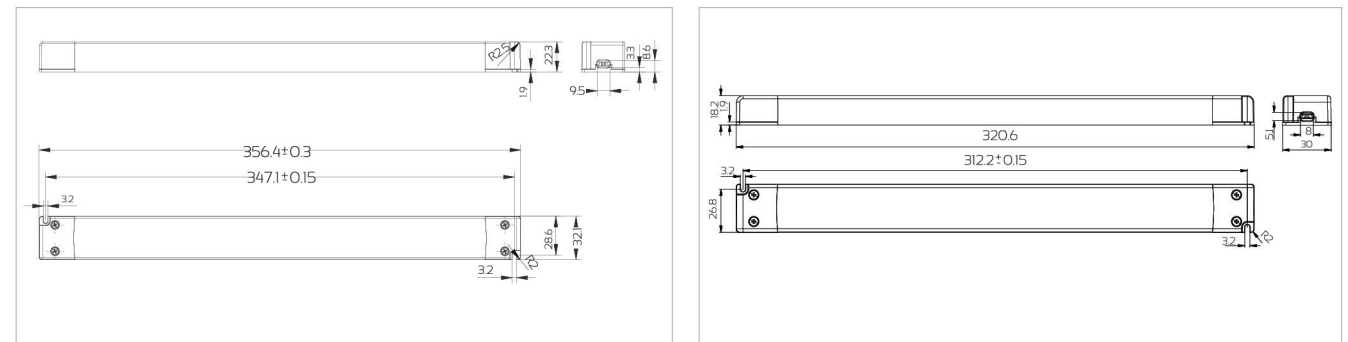
Characteristics

Input Voltage Range: AC220-240V 50/60Hz (power factor measured at AC230V and full load)

Model No.	Constant output voltage	Load	Max output current	PF	Ta	Tc	L x W x H
SNP200-12VF-1	12V	0-180W	15A	≥0.95	45°C	85°C	356.4x32.1x22.3
SL200-24VF	24V	0-200W	8.33A	≥0.9	45°C	90°C	322.6x30.1x21.5
SL200-48VF	48V	0-200W	4.17A	≥0.9	45°C	90°C	322.6x30.1x21.5
SL200-24VF-1	24V	0-200W	8.33A	≥0.95	45°C	90°C	320.6x30x18.2
SL200-48VF-1	48V	0-200W	4.16A	≥0.95	45°C	90°C	320.6x30x18.2



Dimension in mm



Characteristics

Input Voltage Range: AC200-240V 50/60Hz (power factor measured at AC230V and full load)

Model No.	Constant output voltage	Load	Max output current	PF	Ta	Tc	L x W x H
SL240-24VF	24V	0-240W	10A	>0.9	45°C	90°C	356.4x32.1x22.3
SL240-48VF	48V	0-240W	5A	>0.9	45°C	90°C	356.4x32.1x22.3
SL240-24VF-1	24V	0-240W	10A	≥0.95	45°C	90°C	320.6x30x18.2
SL240-48VF-1	48V	0-240W	5A	≥0.95	45°C	90°C	320.6x30x18.2





# Indoor Linetype LED Power Supply

## Push In Clamp Terminal Series



Snappy Linetype LED power supply is a perfect solution for LED lighting and LED sign applications

Short Circuit; Over Load, Over Voltage, Over Heat Protection.

Dimmable



### SNP60-VFB-1

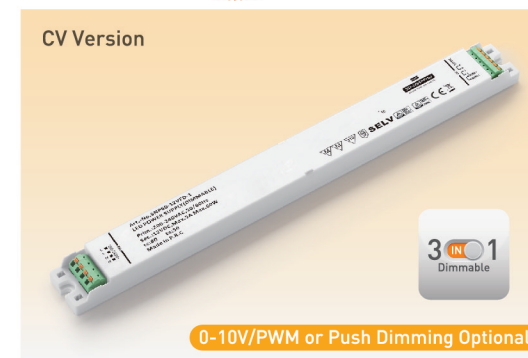


#### Reliable Technical Data

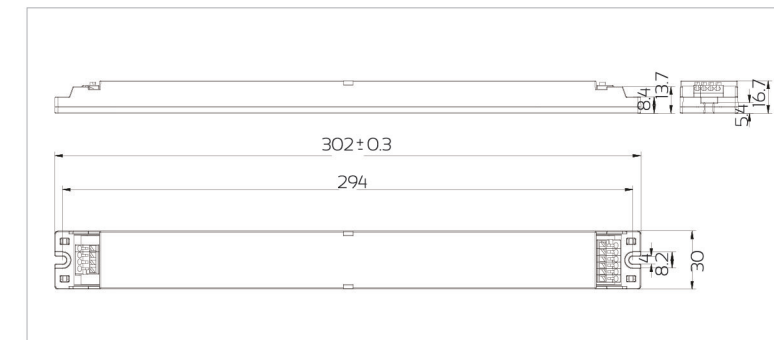
- Input Voltage Range: 200-240VAC
- Input Frequency: 50/60Hz
- Output Power: 60W
- Body: PC
- Open Circuit; Short Circuit; Over Load;
- Over Heat Protection

- Safety According to EN61347-1, EN61347-2-13
- EMI According to EN55015
- EMS According to EN61000-3-2; EN61000-3-3; EN61547
- EMF According to EN62493
- ERP According to EU2019-2020

### SNP60-VFD-1



#### Dimension in mm



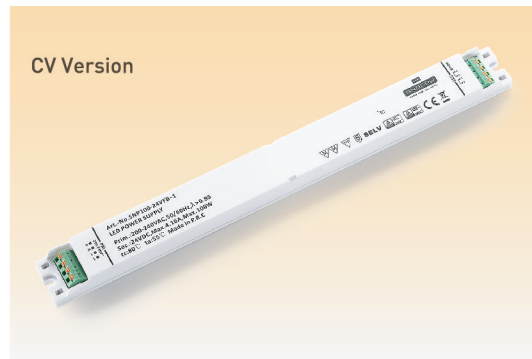
#### Characteristics

Input Voltage Range: AC200-240V 50/60Hz (power factor measured at AC230V and full load)

Model No.	Constant output voltage	Load	Max output current	PF	Ta	Tc	L x W x H
SNP60-12VFB-1	12V	0-60W	5.0A	>0.95	50°C	80°C	302x30x16.7
SNP60-24VFB-1	24V	0-60W	2.5A	>0.95	50°C	80°C	302x30x16.7
SNP60-12VFD-1	12V	0-60W	5.0A	>0.95	50°C	80°C	302x30x16.7
SNP60-24VFD-1	24V	0-60W	2.5A	>0.95	50°C	80°C	302x30x16.7



## SNP100-VFB-1



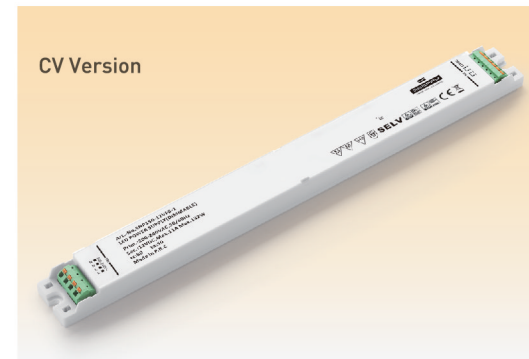
### Reliable Technical Data

- Input Voltage Range:200-240VAC
- Input Frequency:50/60Hz
- Output Power:100W
- Body: PC
- Open Circuit; Short Circuit; Over Load;
- Over Heat Protection
- Safety According to EN61347-1, EN61347-2-13
- EMI According to EN55015
- EMS According to EN61000-3-2; EN61000-3-3; EN61547
- EMF According to EN62493
- ERP According to EU2019-2020

## SNP100-VFD-1 DIMMABLE



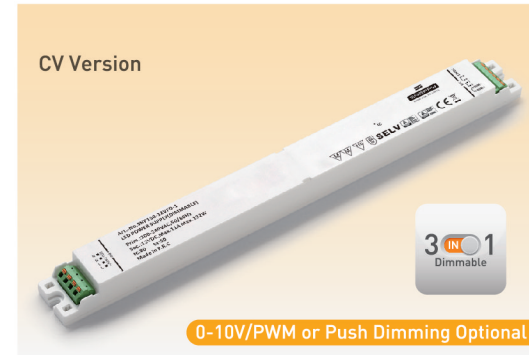
## SNP150-VFB-1



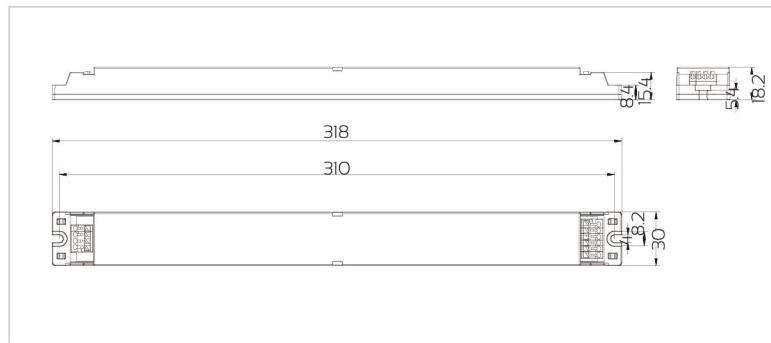
### Reliable Technical Data

- Input Voltage Range:200-240VAC
- Input Frequency:50/60Hz
- Output Power:150W
- Body: PC
- Open Circuit; Short Circuit; Over Load;
- Over Heat Protection
- Safety According to EN61347-1, EN61347-2-13
- EMI According to EN55015
- EMS According to EN61000-3-2; EN61000-3-3; EN61547
- EMF According to EN62493
- ERP According to EU2019-2020

## SNP150-VFD-1 DIMMABLE



### Dimension in mm

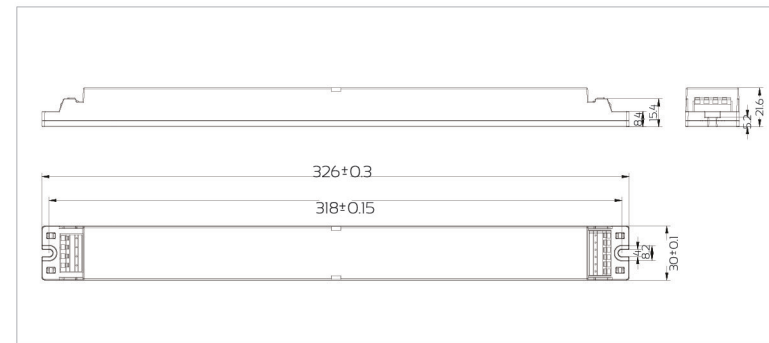


### Characteristics

Input Voltage Range: AC200-240V 50/60Hz (power factor measured at AC230V and full load)

Model No.	Constant output voltage	Load	Max output current	PF	Ta	Tc	L x W x H
SNP100-12VFB-1	12V	0-100W	8.33A	>0.95	55°C	80°C	318x30x18.2
SNP100-24VFB-1	24V	0-100W	4.16A	>0.95	55°C	80°C	318x30x18.2
SNP100-12VFD-1	12V	0-100W	8.33A	>0.95	55°C	80°C	318x30x18.2
SNP100-24VFD-1	24V	0-100W	4.16A	>0.95	55°C	80°C	318x30x18.2

### Dimension in mm



### Characteristics

Input Voltage Range: AC200-240V 50/60Hz (power factor measured at AC230V and full load)

Model No.	Constant output voltage	Load	Max output current	PF	Ta	Tc	L x W x H
SNP150-12VFB-1	12V	0-132W	11A	>0.95	50°C	80°C	326x30x21.6
SNP150-24VFB-1	24V	0-150W	6.25A	>0.95	50°C	80°C	326x30x21.6
SNP150-12VFD-1	12V	0-132W	11A	>0.95	50°C	80°C	326x30x21.6
SNP150-24VFD-1	24V	0-150W	6.25A	>0.95	50°C	80°C	326x30x21.6





# Outdoor Linetype LED Power Supply Series

## Outdoor Advertising Series



Open Circuit; Short Circuit; Over Load; Over Heat Protection, Linear Type LED Drivers

Aluminum case with protection grade IP67

### SLP60-VFP(UE)



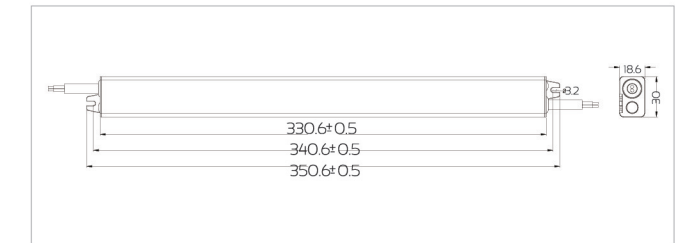
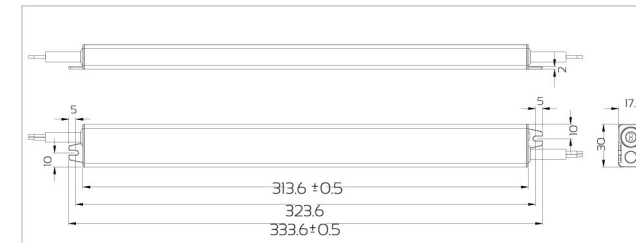
### Reliable Technical Data

- Input Voltage Range:100-240VAC
- Input Frequency:50/60Hz
- Output Power:60W/100W
- Dimension: 333.6x30x17.5mm  
350.6x30x18.6mm
- Body: IP67, Aluminum case
- Open Circuit; Short Circuit; Over Load;
- Over Heat Protection
- Safety According to EN61347-1, EN61347-2-13, UL8750
- EMI According to EN55015, FCC PART15 ClassB
- EMS According to EN61000-3-2; EN61000-3-3; EN61547
- EMF According to EN62493
- ERP According to EU2019-2020

### SLP100-VFP(UE)



### Dimension in mm



### Characteristics

Input Voltage Range: AC100-240V 50/60Hz (power factor measured at AC230V and full load)

Model No.	Constant output voltage	Load	Max output Current	PF	Ta	Tc	L x W x H	IP
SLP60-12VFP(UE)	12V	0-60W	5A	≥0.9	60°C	85°C	333.6x30x17.5	IP67
SLP60-24VFP(UE)	24V	0-60W	2.5A	≥0.9	60°C	85°C	333.6x30x17.5	IP67
SLP100-12VFP(UE)	12V	0-100W	8.33A	≥0.9	55°C	90°C	350.6x30x18.6	IP67
SLP100-24VFP(UE)	24V	0-100W	4.17A	≥0.9	55°C	90°C	350.6x30x18.6	IP67



## SNP60-VFP-1/SNP100-VFP-1

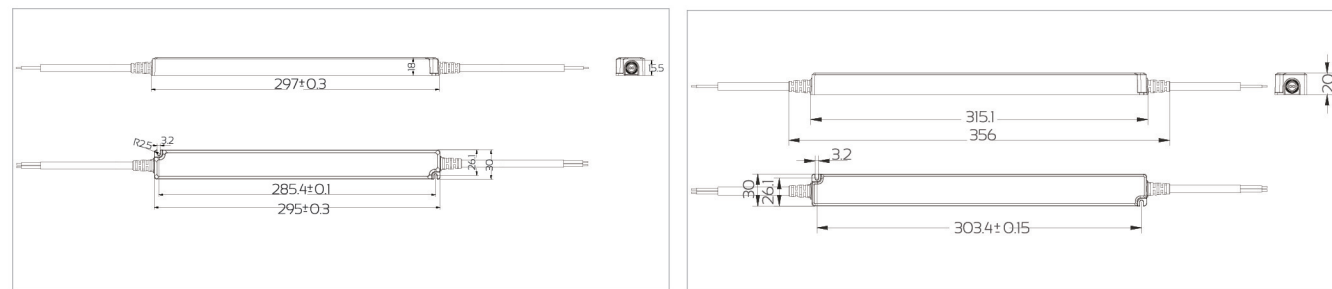


### Reliable Technical Data

- Input Voltage Range: 200-240VAC
  - Input Frequency: 50/60Hz
  - Output Power: 60W/100W
  - Dimension: L297xW30xH18mm (SNP60-VFP-1)  
L315.1xW30xH20mm (SNP100-VFP-1)
  - Body: IP66 PC Case
  - Open Circuit; Short Circuit; Over Load;
  - Over Heat Protection
- 
- Safety According to EN61347-1, EN61347-2-13
  - EMI According to EN55015
  - EMS According to EN61000-3-2; EN61000-3-3; EN61547
  - EMF According to EN62493
  - ERP According to EU2019-2020



### Dimension in mm



### Characteristics

Input Voltage Range: AC200-240V 50/60Hz (power factor measured at AC230V and full load)

Model No.	Constant output voltage	Load	Max output Current	PF	Ta	Tc	L x W x H	IP
SNP60-12VFP-1	12V	0-60W	5A	≥0.9	45°C	80°C	297x30x18	IP66
SNP60-24VFP-1	24V	0-60W	2.5A	≥0.9	45°C	80°C	297x30x18	IP66
SNP100-12VFP-1	12V	0-100W	8.33A	≥0.9	50°C	85°C	315.1x30x20	IP66
SNP100-24VFP-1	24V	0-100W	4.17A	≥0.9	50°C	85°C	315.1x30x20	IP66



## SNP150-VFP-1/SNP200-VFP-1 SNP240-VFP-1

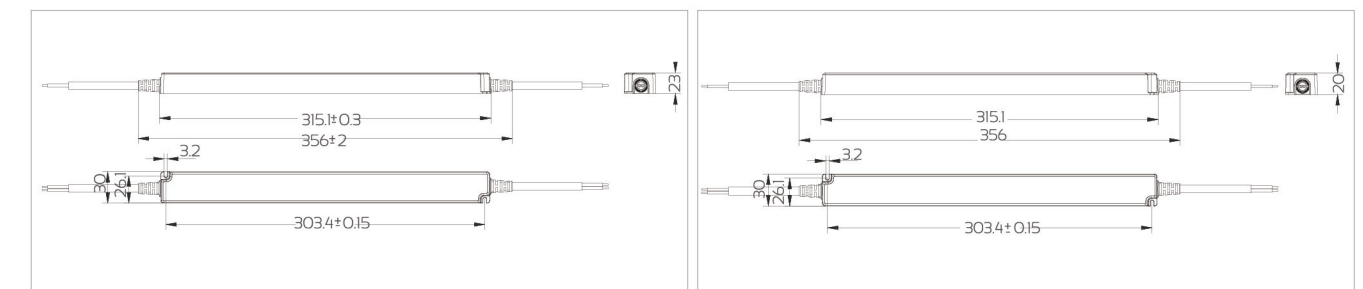


### Reliable Technical Data

- Input Voltage Range: 200-240VAC
  - Input Frequency: 50/60Hz
  - Output Power: 132W/150W/200W/240W
  - Dimension: L315.1xW30xH23mm (SNP150-VFP-1)  
L315.1xW30xH20mm (SNP200-VFP-1/SNP240-VFP-1)
  - Body: IP66 PC Case
  - Open Circuit; Short Circuit; Over Load;
  - Over Heat Protection
- 
- Safety According to EN61347-1, EN61347-2-13
  - EMI According to EN55015
  - EMS According to EN61000-3-2; EN61000-3-3; EN61547
  - EMF According to EN62493
  - ERP According to EU2019-2020



### Dimension in mm



### Characteristics

Input Voltage Range: AC200-240V 50/60Hz (power factor measured at AC230V and full load)

Model No.	Constant output voltage	Load	Max output Current	PF	Ta	Tc	L x W x H	IP
SNP150-12VFP-1	12V	0-132W	11A	≥0.9	45°C	90°C	315.1x30x23	IP66
SNP150-24VFP-1	24V	0-150W	6.25A	≥0.9	45°C	90°C	315.1x30x23	IP66
SNP200-24VFP-1	24V	0-200W	8.33A	≥0.95	60°C	90°C	315.1x30x20	IP66
SNP240-24VFP-1	24V	0-240W	10A	≥0.9	45°C	90°C	315.1x30x20	IP66





 Dimmable LED Power Supply Series



Three In One Dimmable Series



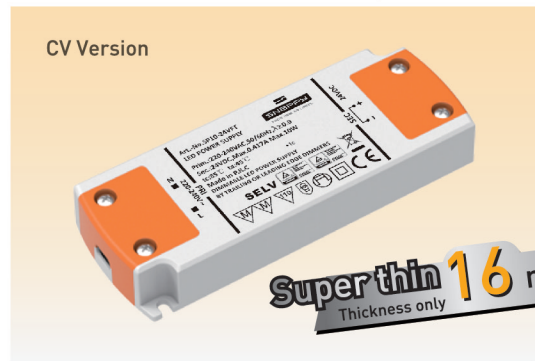
Triac Dimmable Series





## SP10-VFT

**DIMMABLE** **NEW!**



### Reliable Technical Data

- Input Voltage Range: 220-240VAC
- Input Frequency: 50/60Hz
- Output Power: 10W/30W/36W
- Body: PC
- Open Circuit; Short Circuit; Over Load;

- Safety According to EN61347-1, EN61347-2-13
- EMI According to EN55015
- EMS According to EN61000-3-2; EN61000-3-3; EN61547
- EMF According to EN62493
- ERP According to EU2019-2020

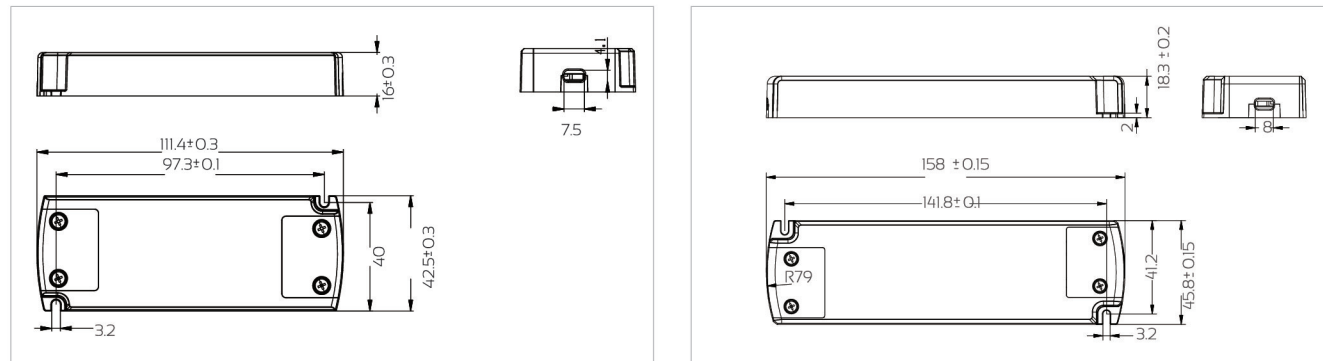


## SP30-VFT-1/SP36-VFT-1

**DIMMABLE** **NEW!**



### Dimension in mm



### Characteristics

Input Voltage Range: AC220-240V 50/60Hz (power factor measured at AC230V and full load)

Model No.	Constant output voltage	Load	Output current range	PF	Ta	Tc	L x W x H
SP10-12VFT	12V	2-10W	0.167-0.833A	≥0.9	45°C	85°C	111.4x42.5x16
SP10-24VFT	24V	4-10W	0.167-0.417A	≥0.9	45°C	85°C	111.4x42.5x16
SP30-12VFT-1	12V	6-30W	0.5-2.5A	≥0.9	45°C	85°C	158x45.8x18.3
SP30-24VFT-1	24V	6-30W	0.25-1.25A	≥0.9	45°C	85°C	158x45.8x18.3
SP36-12VFT-1	12V	12-36W	1-3A	≥0.9	45°C	85°C	158x45.8x18.3
SP36-24VFT-1	24V	12-36W	0.5-1.5A	≥0.9	45°C	85°C	158x45.8x18.3



## SP50-VFT-1

**DIMMABLE**



### Reliable Technical Data

- Input Voltage Range: 220-240VAC
- Input Frequency: 50/60Hz
- Output Power: 50W/75W
- Body: PC
- Open Circuit; Short Circuit; Over Load;

- Safety According to EN61347-1, EN61347-2-13
- EMI According to EN55015
- EMS According to EN61000-3-2; EN61000-3-3; EN61547
- EMF According to EN62493
- ERP According to EU2019-2020

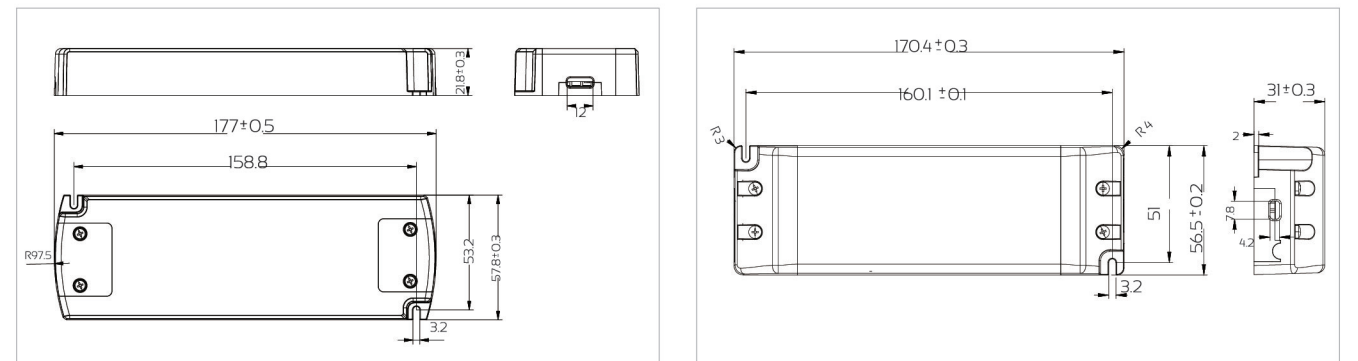


## SP75-VLT

**DIMMABLE**



### Dimension in mm



### Characteristics

Input Voltage Range: AC220-240V 50/60Hz (power factor measured at AC230V and full load)

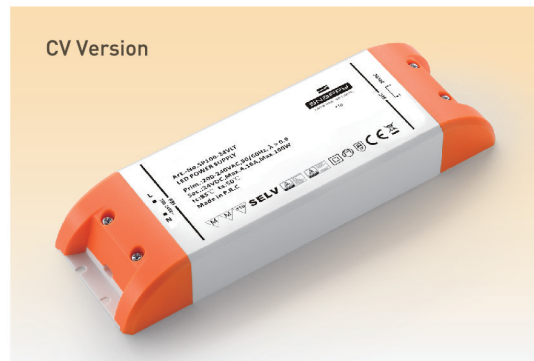
Model No.	Constant output voltage	Load	Output current range	PF	Ta	Tc	L x W x H
SP50-12VFT-1	12V	19-50W	1.6-4.16A	≥0.9	45°C	85°C	177x57.8x21.8
SP50-24VFT-1	24V	19-50W	0.8-2.08A	≥0.9	45°C	85°C	177x57.8x21.8
SP75-12VLT	12V	7.5-75W	0.625-6.25A	≥0.95	45°C	90°C	170.4x56.5x31
SP75-24VLT	24V	7.5-75W	0.312-3.125A	≥0.95	45°C	90°C	170.4x56.5x31





## SP100-VLT/SP150-VLT

**DIMMABLE**



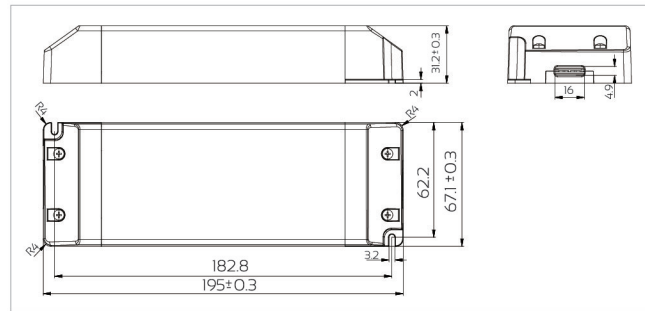
### Reliable Technical Data

- Input Voltage Range: 220-240VAC
- Input Frequency: 50/60Hz
- Output Power: 100W/150W
- Body: PC
- Open Circuit; Short Circuit; Over Load;
- Over Heat Protection

- Safety According to EN61347-1, EN61347-2-13
- EMI According to EN55015
- EMS According to EN61000-3-2; EN61000-3-3; EN61547
- EMF According to EN62493
- ERP According to EU2019-2020



### Dimension in mm



### Characteristics

Input Voltage Range: AC220-240V 50/60Hz (power factor measured at AC230V and full load)

Model No.	Constant output voltage	Load	Output current range	PF	Ta	Tc	L x W x H
SP100-12VLT	12V	24-100W	2-8.33A	≥0.9	45°C	90°C	195x67.1x31.2
SP100-24VLT	24V	24-100W	1-4.17A	≥0.9	45°C	90°C	195x67.1x31.2
SP150-12VLT	12V	48-132W	4-11A	≥0.9	45°C	90°C	195x67.1x31.2
SP150-24VLT	24V	48-150W	2-6.25A	≥0.9	45°C	90°C	195x67.1x31.2



## SP200-VLT/SP300-VLT

**DIMMABLE**

**NEW!**



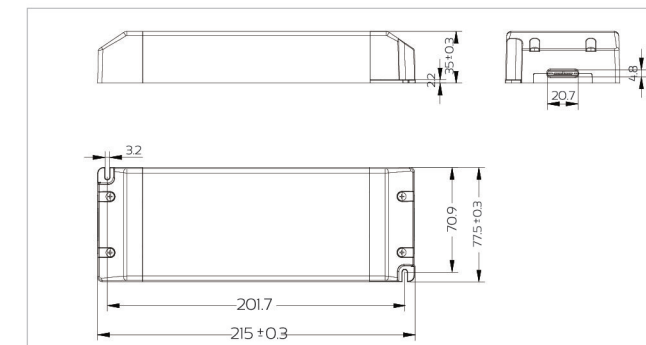
### Reliable Technical Data

- Input Voltage Range: 220-240VAC
- Input Frequency: 50/60Hz
- Output Power: 200W/300W
- Body: PC
- Open Circuit; Short Circuit; Over Load;
- Over Heat Protection

- Safety According to EN61347-1, EN61347-2-13
- EMI According to EN55015
- EMS According to EN61000-3-2; EN61000-3-3; EN61547
- EMF According to EN62493
- ERP According to EU2019-2020



### Dimension in mm



### Characteristics

Input Voltage Range: AC220-240V 50/60Hz (power factor measured at AC230V and full load)

Model No.	Constant output voltage	Load	Max output current	PF	Ta	Tc	L x W x H
SP200-24VLT	24V	100-200W	4.16-8.3A	≥0.95	45°C	90°C	215x77.5x35
SP300-24VLT	24V	144-300W	6-12.5A	≥0.95	45°C	90°C	215x77.5x35



# Triac Dimmable Series (Constant Voltage)

SL75-VFT/SL100-VFT/SL150-VFT

**DIMMABLE** **NEW!**

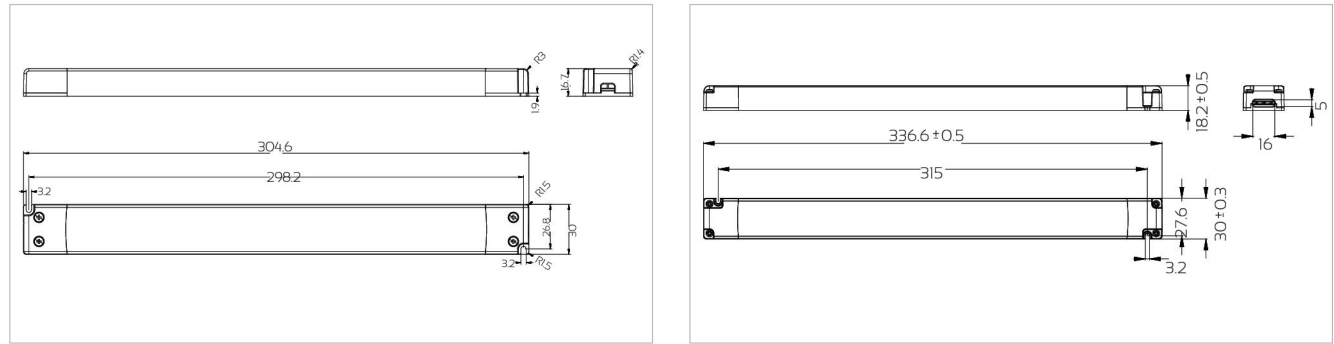


## Reliable Technical Data

- Input Voltage Range: 220-240VAC
  - Input Frequency: 50/60Hz
  - Output Power: 75W/100W/150W
  - Body: PC
  - Open Circuit; Short Circuit; Over Load;
  - Over Heat Protection
- 
- Safety According to EN61347-1, EN61347-2-13
  - EMI According to EN55015
  - EMS According to EN61000-3-2; EN61000-3-3; EN61547
  - EMF According to EN62493
  - ERP According to EU2019-2020



## Dimension in mm



## Characteristics

Input Voltage Range: AC220-240V 50/60Hz (power factor measured at AC230V and full load)

Model No.	Constant output voltage	Load	Max output current	PF	Ta	Tc	L x W x H
SL75-12VFT	12V	15-75W	1.25-6.25A	≥0.98	45°C	85°C	304x30x18.2
SL75-24VFT	24V	15-75W	0.625-3.125A	≥0.98	45°C	85°C	304x30x18.2
SL100-12VFT	12V	20-100W	1.66-8.33A	≥0.98	45°C	85°C	336.6x30x18.2
SL100-24VFT	24V	20-100W	0.83-4.16A	≥0.98	45°C	85°C	336.6x30x18.2
SL150-12VFT	12V	30-144W	2.4-12A	≥0.98	45°C	85°C	356.4x32.1x22.3
SL150-24VFT	24V	30-150W	1.25-6.25A	≥0.98	45°C	85°C	356.4x32.1x22.3

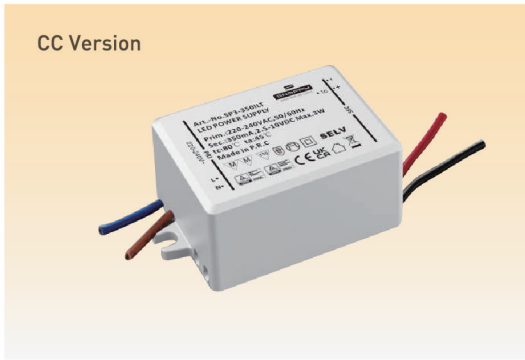


# Triac Dimmable Series (Constant Current)



SP3-ILT/SP7-ILT

**DIMMABLE** **NEW!**

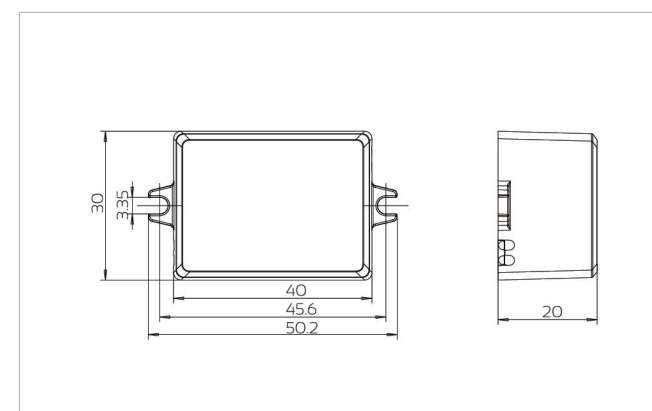


## Reliable Technical Data

- Input Voltage Range: 220-240VAC
  - Input Frequency: 50/60Hz
  - Output Power: 3W/7W
  - Body: PC
  - Open Circuit; Short Circuit; Over Load;
- 
- Safety According to EN61347-1, EN61347-2-13
  - EMI According to EN55015
  - EMS According to EN61000-3-2; EN61000-3-3; EN61547
  - EMF According to EN62493
  - ERP According to EU2019-2020



## Dimension in mm



## Characteristics

Input Voltage Range: AC220-240V 50/60Hz (power factor measured at AC230V and full load)

Model No.	Constant output current	Load	Output voltage range	PF	Ta	Tc	L x W x H
SP3-350ILT	350mA	0.9-3.5W	2.5-10V	≥0.9	45°C	90°C	50.2x30x20
SP7-350ILT	350mA	3.5-7.35W	10-21V	≥0.9	45°C	90°C	50.2x30x20

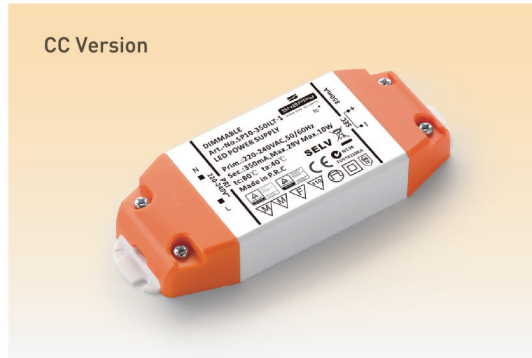




## SP10-ILT-1/SP15-ILT

DIMMABLE

CC Version



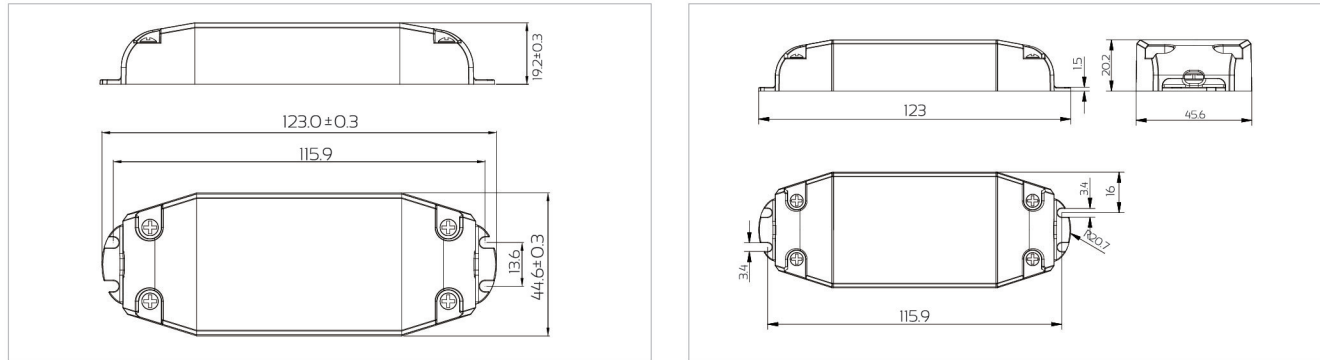
### Reliable Technical Data

- Input Voltage Range:220-240VAC
- Input Frequency:50/60Hz
- Output Power:10W/15W
- Body: PC
- Open Circuit; Short Circuit; Over Load;

- Safety According to EN61347-1, EN61347-2-13
- EMI According to EN55015
- EMS According to EN61000-3-2; EN61000-3-3; EN61547
- EMF According to EN62493
- ERP According to EU2019-2020



### Dimension in mm



### Characteristics

Input Voltage Range: AC220-240V 50/60Hz (power factor measured at AC230V and full load)

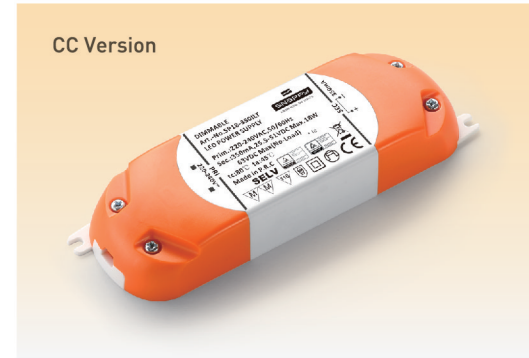
Model No.	Constant output current	Load	Output voltage range	PF	Ta	Tc	L x W x H
SP10-350ILT-1	350mA	2.8-10W	8-28VDC	≥0.9	40°C	80°C	123x44.6x19.2
SP10-700ILT-1	700mA	2.8-10W	4-14VDC	≥0.9	40°C	80°C	123x44.6x19.2
SP15-350ILT	350mA	7.5-15W	21.5-42.5VDC	≥0.9	40°C	85°C	123x45.6x20.2
SP15-500ILT	500mA	7.5-15W	15-30VDC	≥0.9	40°C	85°C	123x45.6x20.2
SP15-700ILT	700mA	7.5-15W	10.5-21.5VDC	≥0.9	40°C	85°C	123x45.6x20.2



## SP18-ILT

DIMMABLE

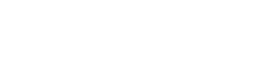
CC Version



### Reliable Technical Data

- Input Voltage Range:220-240VAC
- Input Frequency:50/60Hz
- Output Power:18W/24W
- Body: PC
- Open Circuit; Short Circuit; Over Load;

- Safety According to EN61347-1, EN61347-2-13
- EMI According to EN55015
- EMS According to EN61000-3-2; EN61000-3-3; EN61547
- EMF According to EN62493
- ERP According to EU2019-2020



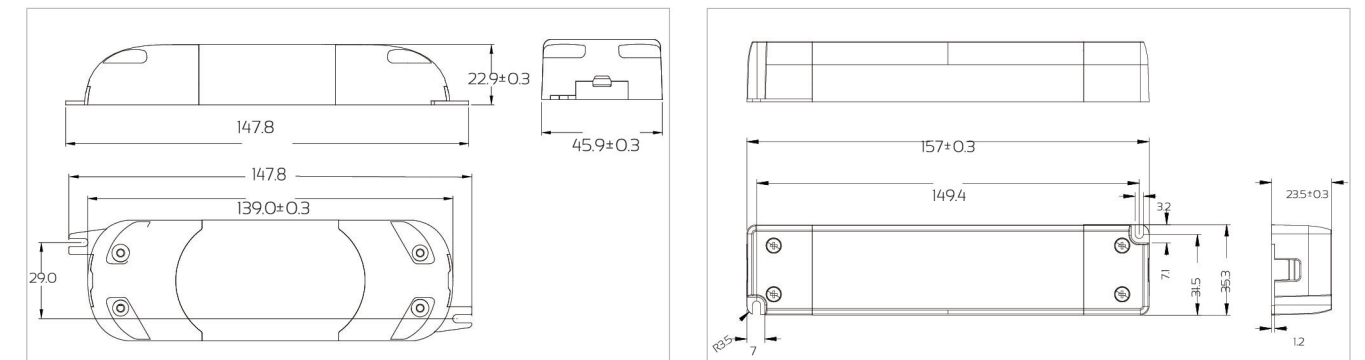
## SP24-ILT

DIMMABLE

CC Version



### Dimension in mm



### Characteristics

Input Voltage Range: AC220-240V 50/60Hz (power factor measured at AC230V and full load)

Model No.	Constant output current	Load	Output voltage range	PF	Ta	Tc	L x W x H
SP18-350ILT	350mA	9-18W	25.5-51VDC	≥0.9	45°C	80°C	147.8x46x23
SP18-500ILT	500mA	9-18W	18-36VDC	≥0.9	45°C	80°C	147.8x46x23
SP18-700ILT	700mA	9-18W	12.5-25.5VDC	≥0.9	45°C	80°C	147.8x46x23
SP24-350ILT	350mA	12-24W	34-68.5VDC	≥0.95	45°C	80°C	157x35.3x23.5
SP24-500ILT	500mA	12-24W	24-48VDC	≥0.95	45°C	80°C	157x35.3x23.5
SP24-700ILT	700mA	12-24W	17-34VDC	≥0.95	45°C	80°C	157x35.3x23.5
SP24-1050ILT	1050mA	12-24W	11-22.5VDC	≥0.95	45°C	80°C	157x35.3x23.5



## SP36-ILT DIMMABLE

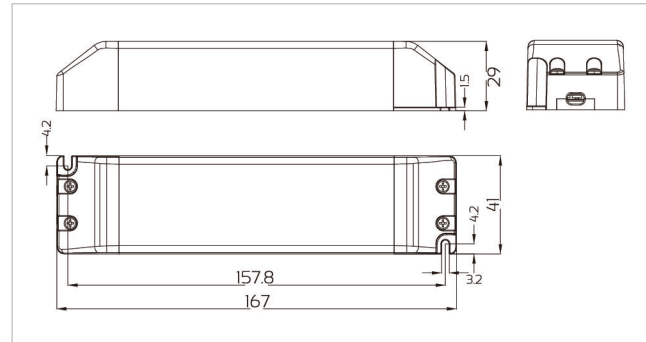


### Reliable Technical Data

- Input Voltage Range: 220-240VAC
- Input Frequency: 50/60Hz
- Output Power: 36W
- Body: PC
- Open Circuit; Short Circuit; Over Load;
- Over Heat Protection
  
- Safety According to EN61347-1, EN61347-2-13
- EMI According to EN55015
- EMS According to EN61000-3-2; EN61000-3-3; EN61547
- EMF According to EN62493
- ERP According to EU2019-2020



### Dimension in mm



### Characteristics

Input Voltage Range: AC220-240V 50/60Hz (power factor measured at AC230V and full load)

Model No.	Constant output current	Load	Output voltage range	PF	Ta	Tc	L x W x H
SP36-350ILT	350mA	15-30W	42.5-85.5VDC	≥0.95	45°C	85°C	167x41x29
SP36-500ILT	500mA	18-36W	36-72VDC	≥0.95	45°C	80°C	167x41x29
SP36-700ILT	700mA	18-36W	25.5-51VDC	≥0.95	45°C	80°C	167x41x29
SP36-1050ILT	1050mA	18-36W	17-34VDC	≥0.95	45°C	85°C	167x41x29



## SNC10-ILT DIMMABLE NEW!

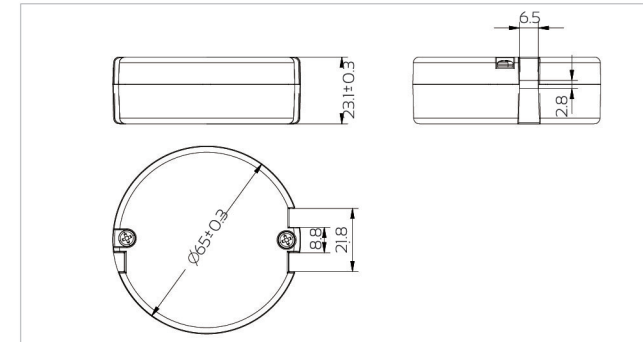


### Reliable Technical Data

- Input Voltage Range: 220-240VAC
- Input Frequency: 50/60Hz
- Output Power: 10W
- Body: PC
- Open Circuit; Short Circuit; Over Load;
- Over Heat Protection
  
- Safety According to EN61347-1, EN61347-2-13
- EMI According to EN55015
- EMS According to EN61000-3-2; EN61000-3-3; EN61547
- EMF According to EN62493
- ERP According to EU2019-2020



### Dimension in mm



### Characteristics

Input Voltage Range: AC220-240V 50/60Hz (power factor measured at AC230V and full load)

Model No.	Constant output current	Load	Output voltage range	PF	Ta	Tc	Φ x H
SNC10-230ILT	230mA	5-10W	21.7-43.4VDC	≥0.9	45°C	80°C	Φ65x23.1
SNC10-350ILT	350mA	5-10W	14.3-28.5VDC	≥0.9	45°C	80°C	Φ65x23.1



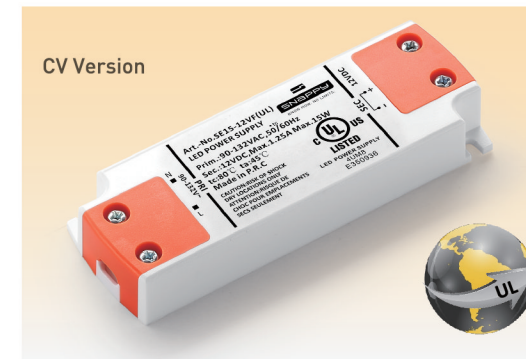


# UL & UE LED Power Supply Series



UL Listed products, Open Circuit; Short Circuit; Over Load, Over Heat Protection.

## SE15-VF(UL)/SE20-VF(UL)

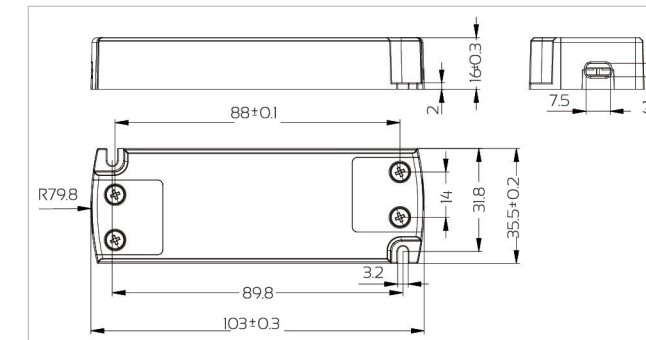


### Reliable Technical Data

- Input Voltage Range:100-120VAC
  - Input Frequency:50/60Hz
  - Output Power:15W/20W
  - Body: PC
  - Open Circuit; Short Circuit; Over Load;
- 
- Conforms to UL Std. 8750
  - FCC PART15 ClassB



### Dimension in mm



### Characteristics

Input Voltage Range: AC100-120V 50/60Hz (power factor measured at AC120V and full load)

Model No.	Constant output voltage	Load	Max output current	PF	Ta	Tc	L x W x H
SE15-12VF(UL)	12V	0-15W	1.25A	≥0.5	45°C	85°C	103x35.5x16
SE15-24VF(UL)	24V	0-15W	0.625A	≥0.5	45°C	85°C	103x35.5x16
SE20-12VF(UL)	12V	0-20W	1.67A	≥0.55	45°C	85°C	103x35.5x16
SE20-24VF(UL)	24V	0-20W	0.833A	≥0.55	45°C	85°C	103x35.5x16



## SE30-VF(UL)/SE50-VF(UL)



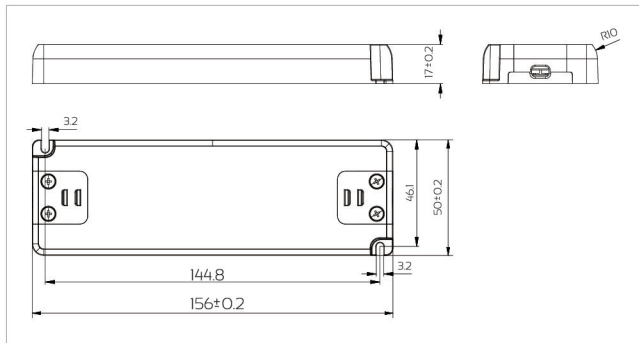
### Reliable Technical Data

- Input Voltage Range:100-120VAC
- Input Frequency:50/60Hz
- Output Power:30W/50W
- Body: PC
- Open Circuit; Short Circuit; Over Load;

- Conforms to UL Std. 8750
- FCC PART15 ClassB



### Dimension in mm



### Characteristics

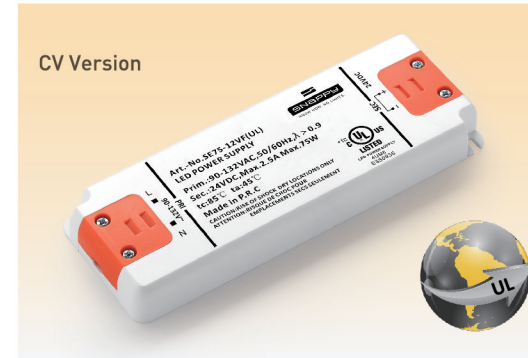
Input Voltage Range: AC100-120V 50/60Hz (power factor measured at AC120V and full load)

Model No.	Constant output voltage	Load	Max output current	PF	Ta	Tc	L x W x H
SE30-12VF(UL)	12V	0-30W	2.5A	≥0.98	45°C	85°C	156x50x17
SE30-24VF(UL)	24V	0-30W	1.25A	≥0.98	45°C	85°C	156x50x17
SE50-12VF(UL)	12V	0-50W	4.17A	≥0.98	45°C	85°C	156x50x17
SE50-24VF(UL)	24V	0-50W	2.08A	≥0.98	45°C	85°C	156x50x17



## SE75-VF(UL)

NEW!



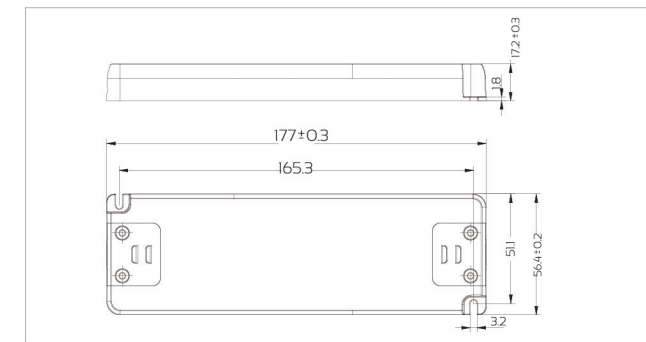
### Reliable Technical Data

- Input Voltage Range:100-120VAC
- Input Frequency:50/60Hz
- Output Power:75W
- Body: PC
- Open Circuit; Short Circuit; Over Load;

- Conforms to UL Std. 8750
- FCC PART15 ClassB



### Dimension in mm



### Characteristics

Input Voltage Range: AC100-120V 50/60Hz (power factor measured at AC120V and full load)

Model No.	Constant output voltage	Load	Max output current	PF	Ta	Tc	L x W x H
SE75-12VF(UL)	12V	0-75W	6.25A	≥0.95	45°C	85°C	177x56.4x17.2
SE75-24VF(UL)	24V	0-75W	3.125A	≥0.95	45°C	85°C	177x56.4x17.2





## SP25-VFT(UL)/SP30-VFT(UL)

NEW!

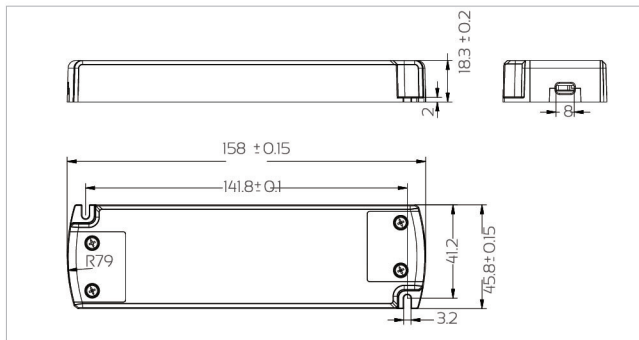


### Reliable Technical Data

- Input Voltage Range:100-120VAC (25W)  
120VAC (30W)
- Input Frequency:60Hz
- Output Power:25W/30W
- Body: PC
- Open Circuit; Short Circuit; Over Load;
- Conforms to UL Std. 8750
- FCC PART15 ClassB



### Dimension in mm



### Characteristics

Input Voltage Range: AC100-120V 60Hz (power factor measured at AC120V and full load)

Model No.	Constant output voltage	Load	Output current range	PF	Ta	Tc	L x W x H
SP25-12VFT(UL)	12V	6-25W	0.5-2.08A	≥0.9	45°C	85°C	158x45.8x18.3
SP25-24VFT(UL)	24V	6-25W	0.25-1.04A	≥0.9	45°C	85°C	158x45.8x18.3
SP30-12VFT(UL)	12V	6-30W 120VAC	0.5-2.5A	>0.9	45°C	85°C	158 x45.8x18.3
SP30-24VFT(UL)	24V	6-30W 120VAC	0.25-1.25A	>0.9	45°C	85°C	158 x45.8x18.3



## SP60-VFT(UL) / SP80-VFT(UL)

NEW!

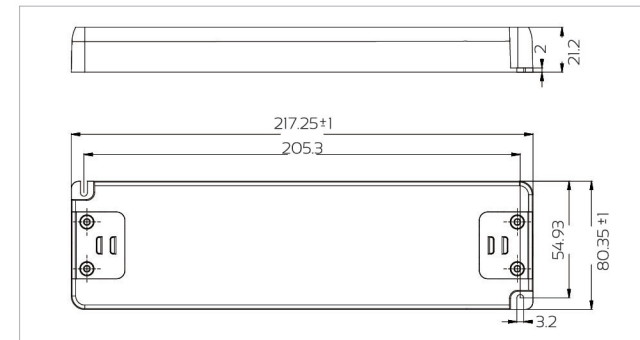


### Reliable Technical Data

- Input Voltage Range:100-120VAC (60W)  
120VAC (80W)
- Input Frequency:60Hz
- Output Power:60W/80W
- Body: PC
- Open Circuit; Short Circuit; Over Load;
- Conforms to UL Std. 8750
- FCC PART15 ClassB



### Dimension in mm



### Characteristics

Input Voltage Range: AC100-120V 60Hz (power factor measured at AC120V and full load)

Model No.	Constant output voltage	Load	Output current range	PF	Ta	Tc	L x W x H
SP60-12VFT(UL)	12V	6-60W	0.5-5A	≥0.95	40°C	85°C	217.3x60.4x21.2
SP60-24VFT(UL)	24V	6-60W	0.25-2.5A	≥0.95	40°C	85°C	217.3x60.4x21.2
SP80-12VFT(UL)	12V	8-80W 120VAC	0.67-6.67A	≥0.95	40°C	90°C	217.3x60.4x21.2
SP80-24VFT(UL)	24V	8-80W 120VAC	0.33-3.33A	≥0.95	40°C	90°C	217.3x60.4x21.2



# UL Series

SD96-VLP(UE)/SD200-VLP(UE)  
SD300-VLP(UE)

NEW!



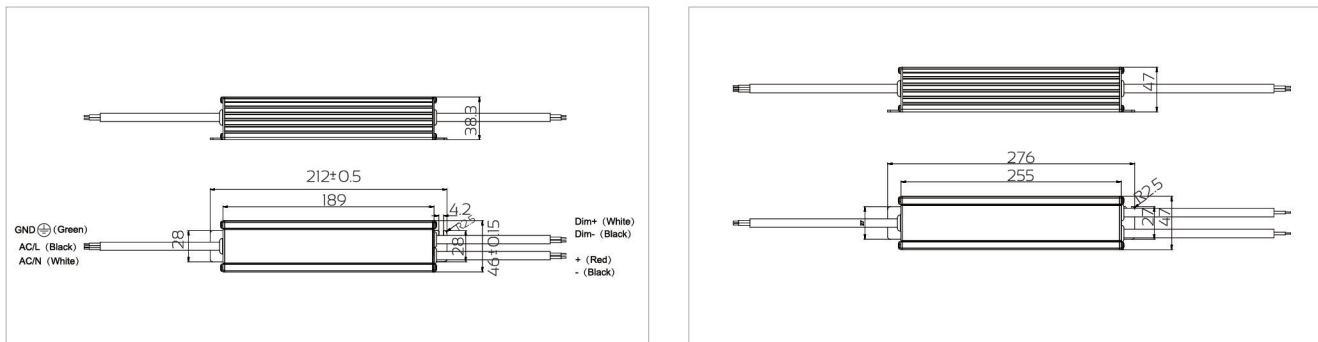
## Reliable Technical Data

- Input Voltage Range:100-240VAC
- Input Frequency:50/60Hz
- Output Power:96W/200W//300W
- Body: Aluminum
- Open Circuit; Short Circuit; Over Load;
- Safety According to EN61347-1, EN61347-2-13
- EMI According to EN55015
- EMS According to EN61000-3-2; EN61000-3-3; EN61547
- EMF According to EN62493
- ERP According to EU2019-2020
- Conforms to UL Std. 8750
- FCC PART15 ClassB

Input triac dimming, output 0-10V dimming



## Dimension in mm



## Characteristics

Input Voltage Range: AC120-277V 50/60Hz (power factor measured at AC230V and full load)

Model No.	Constant output voltage	Load	Max output current	PF	Ta	Tc	L x W x H	IP
SD96-24VLP(UE)	24V	0-96W	4A	≥0.95	45°C	90°C	212x46x38.3	IP67
SD200-24VLP(UE)	24V	0-200W	8.33A	≥0.9	45°C	85°C	256x78x47	IP67
SD300-24VLP(UE)	24V	0-300W	12.5A	≥0.9	45°C	85°C	276x78x47	IP67



# UE Series



SNP60-VF-1(UL)

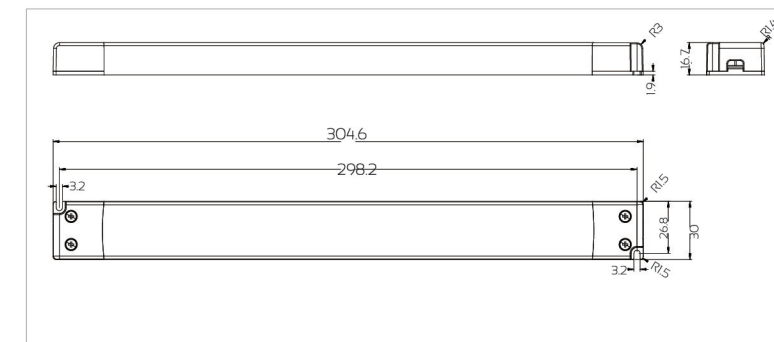


## Reliable Technical Data

- Input Voltage Range:100-120VAC for North America only  
200-240VAC for Europe only
- Input Frequency:50/60Hz
- Output Power:60W/75W
- Body: PC
- Open Circuit; Short Circuit; Over Load;
- Safety According to EN61347-1, EN61347-2-13
- EMI According to EN55015
- EMS According to EN61000-3-2; EN61000-3-3; EN61547
- EMF According to EN62493
- ERP According to EU2019-2020
- Conforms to UL Std. 8750
- FCC PART15 ClassB



## Dimension in mm



## Characteristics

Input Voltage Range: 100-120VAC for North America only 50/60Hz (power factor measured at AC120V and full load)  
200-240VAC for Europe only 50/60Hz (power factor measured at AC230V and full load)

Model No.	Constant output voltage	Load	Max output current	PF	Ta	Tc	L x W x H
SNP60-12VF-1(UL)	12V	0-60W (AC100-120V)	5.0A	≥0.95	45°C	80°C	304.6x30x16.7
		0-75W (AC200-240V)	6.25A	≥0.9	45°C	85°C	304.6x30x16.7
SNP60-24VF-1(UL)	24V	0-60W (AC100-120V)	2.5A	≥0.95	45°C	80°C	304.6x30x16.7
		0-75W (AC200-240V)	3.125A	≥0.9	45°C	85°C	304.6x30x16.7





## SL100-VF(UE)



### Reliable Technical Data

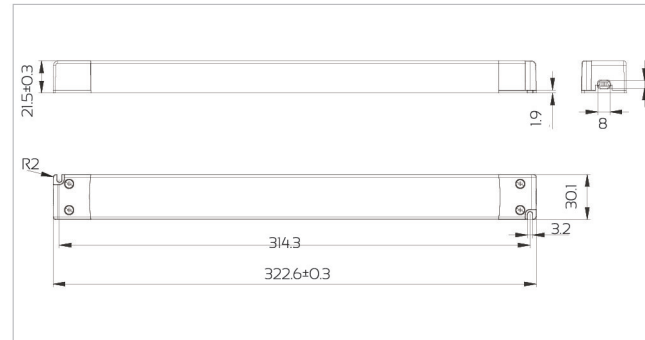
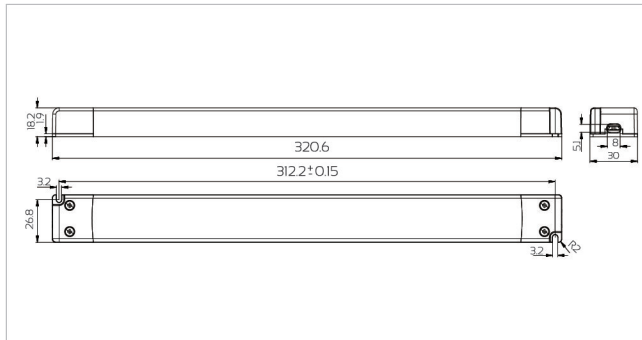
- Input Voltage Range:100-240VAC
- Input Frequency:50/60Hz
- Output Power:100W/150W
- Body: PC
- Open Circuit; Short Circuit; Over Load;
- Over Heat Protection
- Safety According to EN61347-1, EN61347-2-13, UL8750
- EMI According to EN55015, FCC PART ClassB
- EMS According to EN61000-3-2; EN61000-3-3; EN61547
- EMF According to EN62493
- ERP According to EU2019-2020
- Conforms to UL Std. 8750
- FCC PART15 ClassB



## SL150-VF(UE)



### Dimension in mm



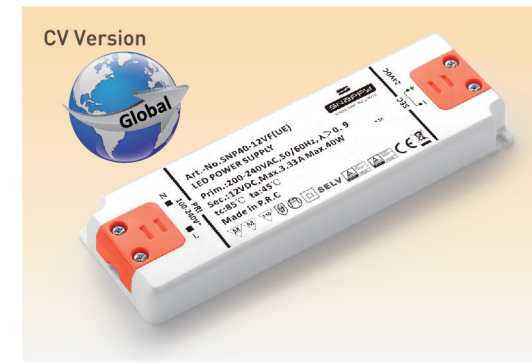
### Characteristics

Input Voltage Range: AC100-240V 50/60Hz (power factor measured at AC230V and full load)

Model No.	Constant output voltage	Load	Max output current	PF	Ta	Tc	L x W x H
SL100-12VF(UE)	12V	0-100W	8.33A	≥0.9	45°C	90°C	320.6x30x18.2
SL100-24VF(UE)	24V	0-96W	4.16A	≥0.9	45°C	90°C	320.6x30x18.2
SL100-48VF(UE)	48V	0-100W	2.08A	≥0.9	45°C	90°C	320.6x30x18.2
SL150-12VF(UE)	12V	0-132W	11A	≥0.9	45°C	90°C	322.6x30.1x21.5
SL150-24VF(UE)	24V	0-150W	6.25A	≥0.9	45°C	90°C	322.6x30.1x21.5
SL150-48VF(UE)	48V	0-150W	3.125A	≥0.9	45°C	90°C	322.6x30.1x21.5



## SNP30-VF(UE)/SNP40-VF(UE)

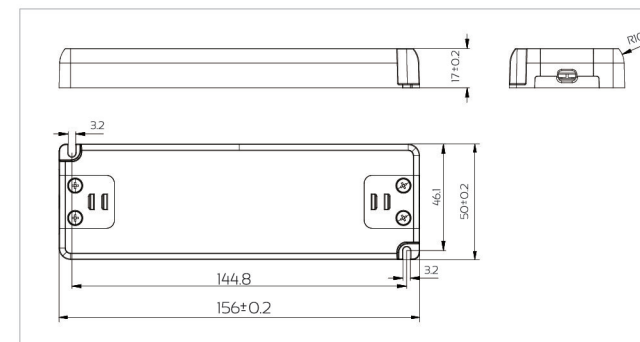


### Reliable Technical Data

- Input Voltage Range:100-240VAC
- Input Frequency:50/60Hz
- Output Power:30W/40W
- Body: PC
- Open Circuit; Short Circuit; Over Load;
- Safety According to EN61347-1, EN61347-2-13
- EMI According to EN55015
- EMS According to EN61000-3-2; EN61000-3-3; EN61547
- EMF According to EN62493
- ERP According to EU2019-2020
- Conforms to UL Std. 8750
- FCC PART15 ClassB



### Dimension in mm



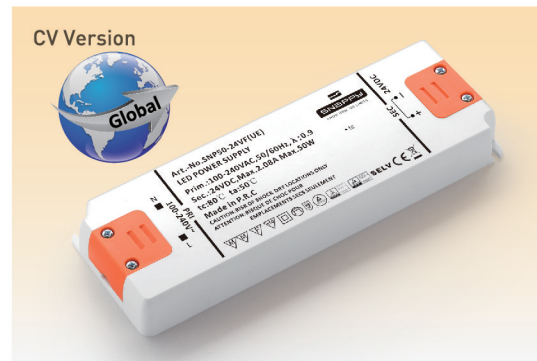
### Characteristics

Input Voltage Range: AC100-240V 50/60Hz (power factor measured at AC230V and full load)

Model No.	Constant output voltage	Load	Max output current	PF	Ta	Tc	L x W x H
SNP30-12VF(UE)	12V	0-30W	2.5A	≥0.9	45°C	85°C	156x50x17
SNP30-24VF(UE)	24V	0-30W	1.25A	≥0.9	45°C	85°C	156x50x17
SNP40-12VF(UE)	12V	0-40W	3.33A	≥0.9	45°C	85°C	156x50x17
SNP40-24VF(UE)	24V	0-40W	1.67A	≥0.9	45°C	85°C	156x50x17



## SNP60-VF(UE)

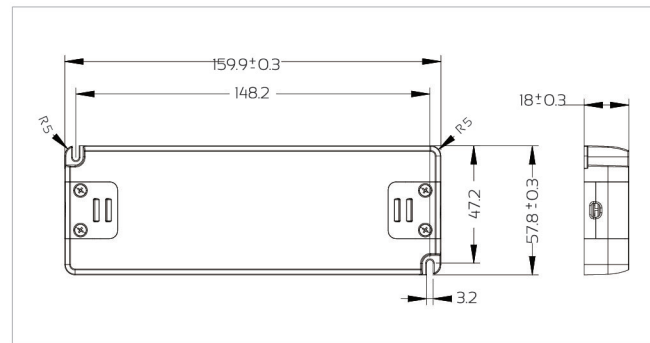


### Reliable Technical Data

- Input Voltage Range:100-240VAC
- Input Frequency:50/60Hz
- Output Power:60W
- Body: PC
- Open Circuit; Short Circuit; Over Load;
- Safety According to EN61347-1, EN61347-2-13
- EMI According to EN55015
- EMS According to EN61000-3-2; EN61000-3-3; EN61547
- EMF According to EN62493
- ERP According to EU2019-2020
- Conforms to UL Std. 8750
- FCC PART15 ClassB



### Dimension in mm



### Characteristics

Input Voltage Range: AC100-240V 50/60Hz (power factor measured at AC230V and full load)

Model No.	Constant output voltage	Load	Max output current	PF	Ta	Tc	L x W x H
SNP60-12VF(UE)	12V	0-60W	5.0A	≥0.9	45°C	90°C	159.9x57.8x18
SNP60-24VF(UE)	24V	0-60W	2.5A	≥0.9	45°C	90°C	159.9x57.8x18



## SNP75-VL(UE)

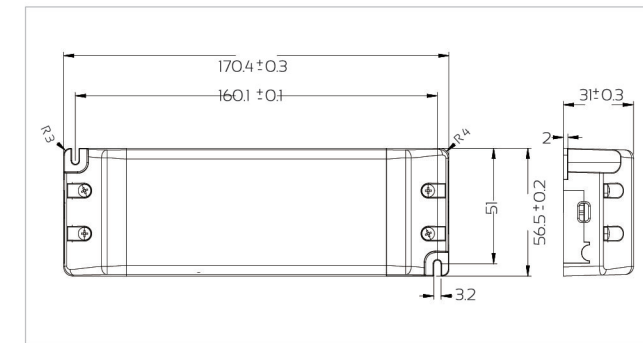


### Reliable Technical Data

- Input Voltage Range:100-240VAC
- Input Frequency:50/60Hz
- Output Power:75W
- Body: PC
- Open Circuit; Short Circuit; Over Load;
- Safety According to EN61347-1, EN61347-2-13
- EMI According to EN55015
- EMS According to EN61000-3-2; EN61000-3-3; EN61547
- EMF According to EN62493
- ERP According to EU2019-2020
- Conforms to UL Std. 8750
- FCC PART15 ClassB



### Dimension in mm



### Characteristics

Input Voltage Range: AC100-240V 50/60Hz (power factor measured at AC230V and full load)

Model No.	Constant output voltage	Load	Max output current	PF	Ta	Tc	L x W x H
SNP75-12VL(UE)	12V	0-75W	6.25A	>0.9	45°C	80°C	170.4x56.5x31
SNP75-24VL(UE)	24V	0-75W	3.125A	>0.9	45°C	80°C	170.4x56.5x31





# Sensor



Standard Dimmer



Wireless Remote



IR Sensor

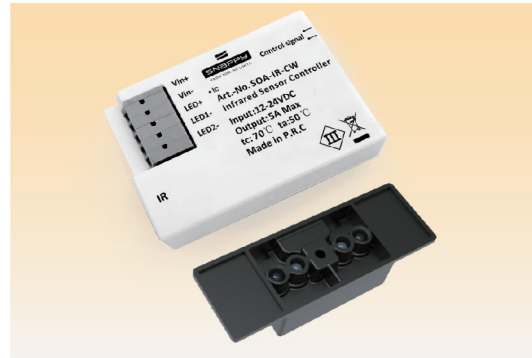


PIR Sensor



# IR Sensor(Low Voltage)

SOA-IR-CW +S107

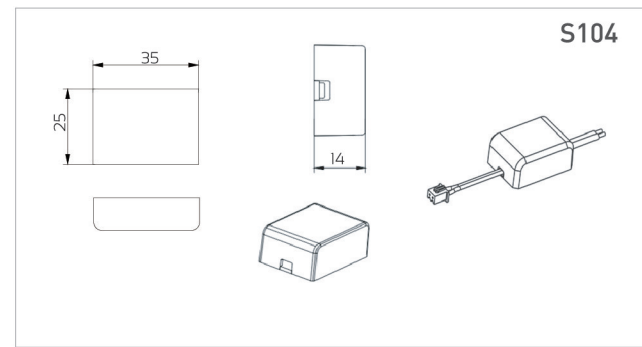
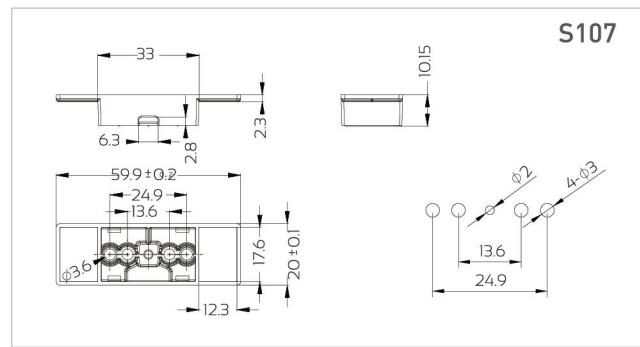


## Reliable Technical Data

SOA-IR-CW is an infrared sensor, with 12V-24V input, which is often used for cabinet and mirror lights. The sensor has infrared induction, CCT adjustable function, memory function.



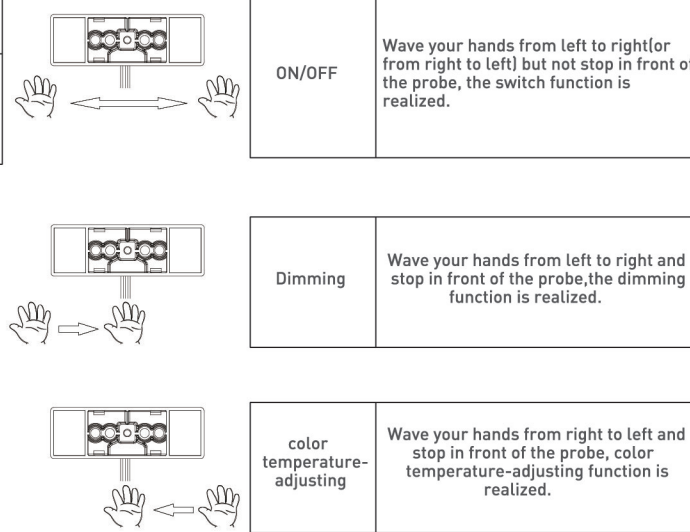
## Dimension in mm



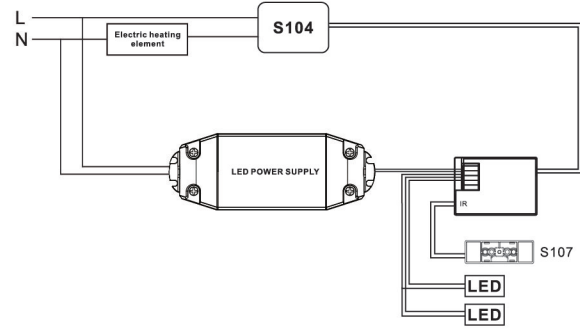
### Function

1. The product with dimming, color temperature-adjusting and switching functions, decide to execute a command by recognizing a gesture, it with memory function after power off.

Sensor	Mirror thickness(L)	Max.sensor distance
S107	≤5mm	4-6cm



2. Defogging heating mode: the ON/OFF of electric heating element is synchronous with SOA-IR-CW via the S104

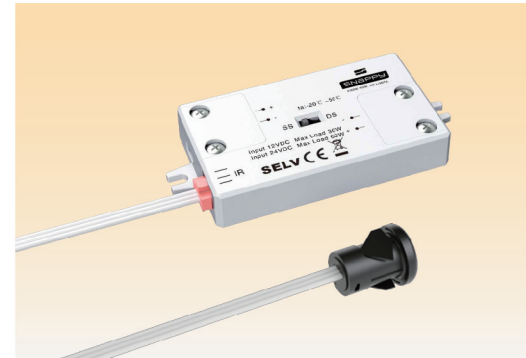


Model No.	Rated input voltage	Rated output current	Load	Ta	L x W x H
SOA-IR-CW	DC 12V	5A	0-60W	-20~50°C	60.3x42.1x13.4
	DC 24V	5A	0-120W	-20~50°C	60.3x42.1x13.4



# IR Sensor(Low Voltage)

SOA-IR



## Reliable Technical Data

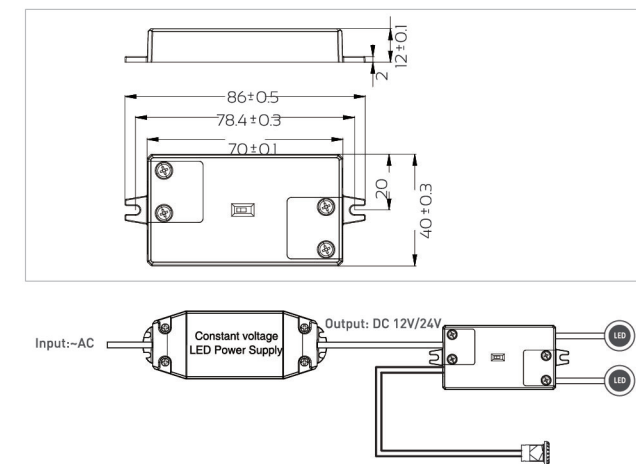
IR sensor  
Detection range: 5-10cm is recommended  
Selectable output connection: terminal block and mini plug



## Sensor (Options)

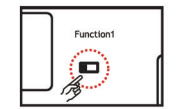
Sensor	Dimension(mm)	Hole opening diameter(D)	Board thickness(L)	Attentions	Options
S101		∅14mm	< 10mm	—	Standard
S102		∅13mm	> 1mm	—	Optional
S102-1		∅13mm	> 1mm	—	Optional
S105		—	≤ 5mm	—	Optional

## Dimension in mm



## Application

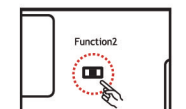
### Function1 Cabinet mode(ON/OFF)



1. No shelter in front of the sensor, relay closed, LED power supply access to AC voltage  
2. When sensor covered, relay opened, no AC voltage load of LED power supply

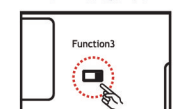


### Function 2 Mirror mode(ON/OFF)



1. Move hand over the detector the first time, relay closed, LED power supply load connected to AC voltage  
2. Move hand over the detector the second time, relay opened, LED power supply load disconnected to AC voltage  
3. Wave hand to achieve the purpose of cyclic switching

### Function 3 Mirror mode(ON/OFF+Dimming)



1. Move hand over the sensor, ON/OFF Every wave, ON/OFF shift  
2. Hold hand over the sensor, dimming function Every stay, lighten and darken shift  
3. Cut off or mode changes, memory function kept.



Model No.	Rated input voltage	Rated output current	Load	Ta	L x W x H
SOA-IR	DC 12V	5A	0-60W	-20~50°C	86x40x12
	DC 24V	5A	0-120W	-20~50°C	86x40x12





# IR Sensor(Line Voltage)

## SIK-IR



### Reliable Technical Data

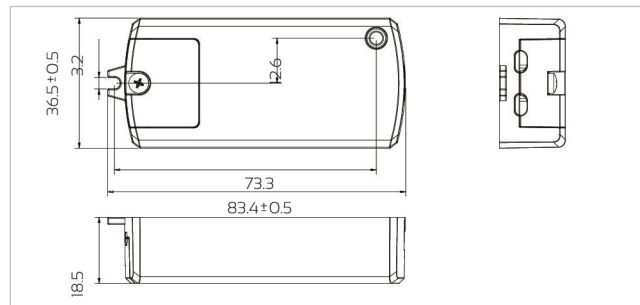
- IR sensor
- Detection range: 5-10cm is recommended



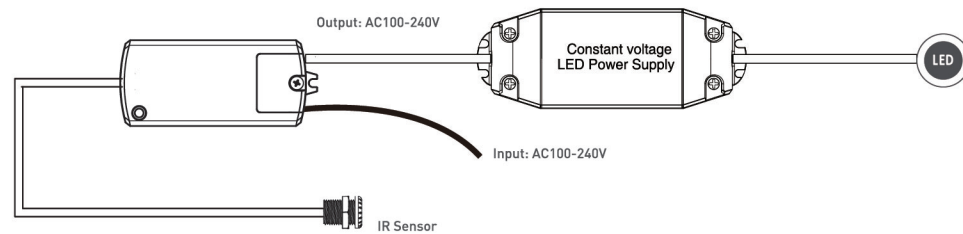
### Sensor (Options)

Sensor	Dimension(mm)	Hole opening diameter(D)	Board thickness(L)	Attentions	Options
S101		Ø14mm	< 10mm	5-10cm	Standard
S102		Ø13mm	> 1mm	5-10cm	Optional
S102-1		Ø13mm	> 1mm	5-10cm	Optional

### Dimension in mm



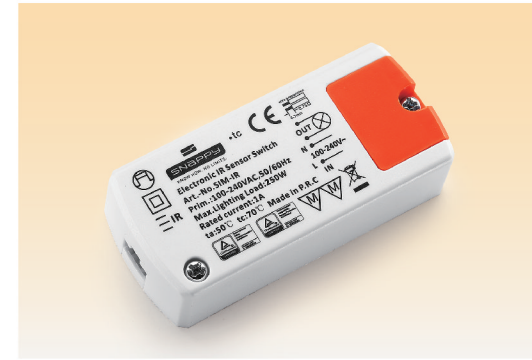
### Application



Model No.	Rated input voltage	Max.Load Power	Rated current	Standby Power Consumption	Ta	L x W x H
SIK-IR	AC100-240V	250VA	Max.1A	<0.5W	-20-50°C	83.4x36.5x18.5



## SIM-IR



### Reliable Technical Data

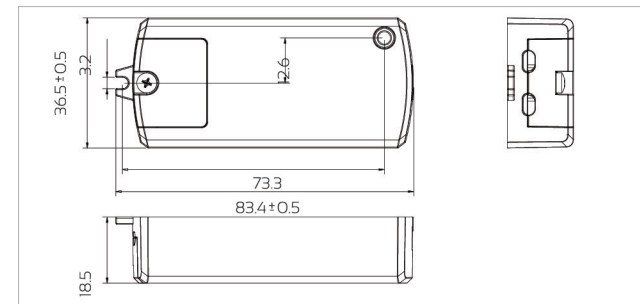
- IR sensor
- Detection range: 5-10cm is recommended



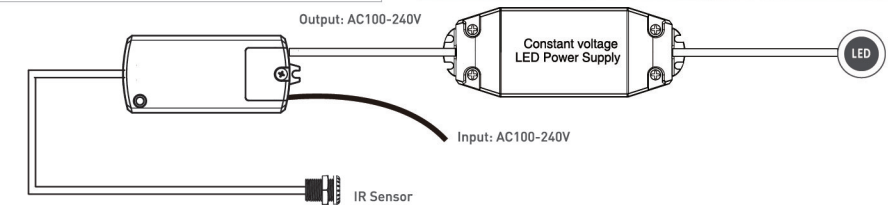
### Sensor (Options)

Sensor	Dimension(mm)	Hole opening diameter(D)	Board thickness(L)	Attentions	Options
S101		Ø14mm	< 10mm	5-10cm	Standard
S102		Ø13mm	> 1mm	5-10cm	Optional
S102-1		Ø13mm	> 1mm	5-10cm	Optional
S105		—	≤ 5mm	4-6cm	Optional

### Dimension in mm



### Application



Model No.	Rated input voltage	Max.Load Power	Rated current	Standby Power Consumption	Ta	L x W x H
SIM-IR	AC100-240V	250VA	Max.1A	<0.5W	-20-50°C	83.4x36.5x18.5



# PIR Sensor(Low Voltage)

## SOL-PIR

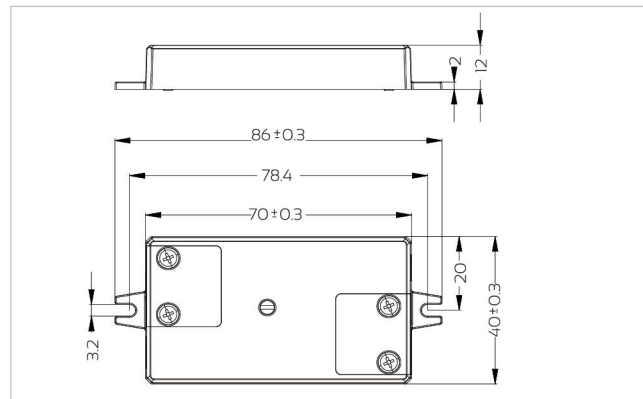


### Reliable Technical Data

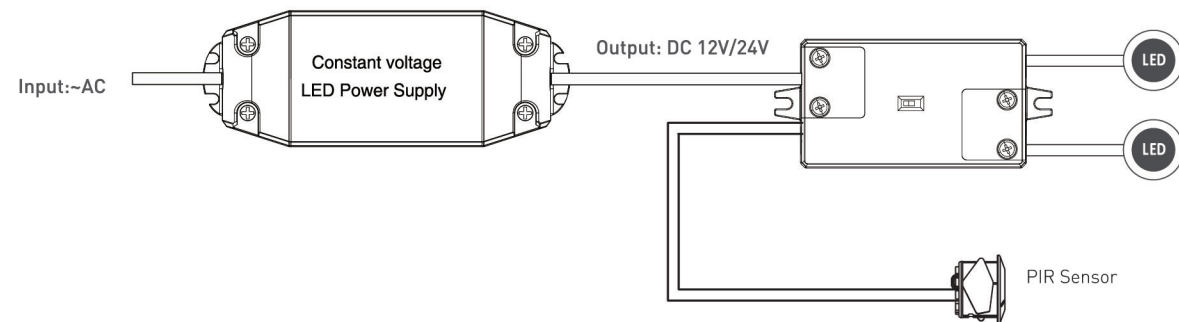
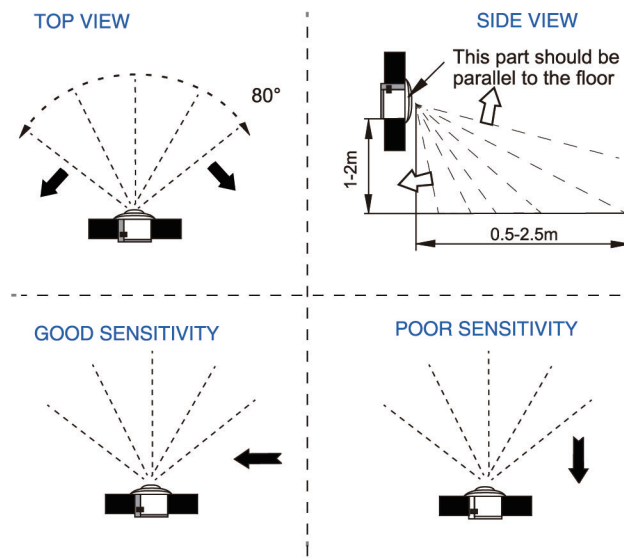
- Human-body detection sensor
- Detection range: Max. 2.5m(98-7/16")
- Detection angle: 80°
- Detection time: 10sec-3min
- Selectable output connection: terminal block and mini plug



### Dimension in mm



### Application

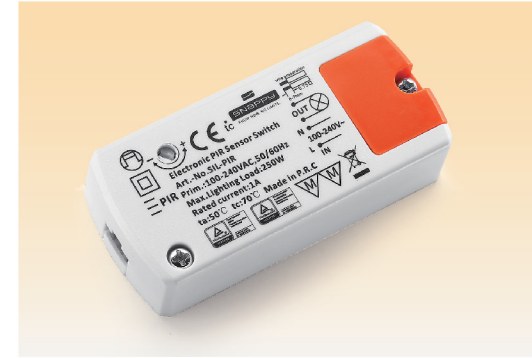


Model No.	Rated input voltage	Rated output current	Load	Ta	L x W x H
SOL-PIR	DC 12V	6.25A	0-75W	-20-50°C	86x40x12
	DC 24V	6.25A	0-150W	-20-50°C	86x40x12



# PIR Sensor(Line Voltage)

## SIL-PIR

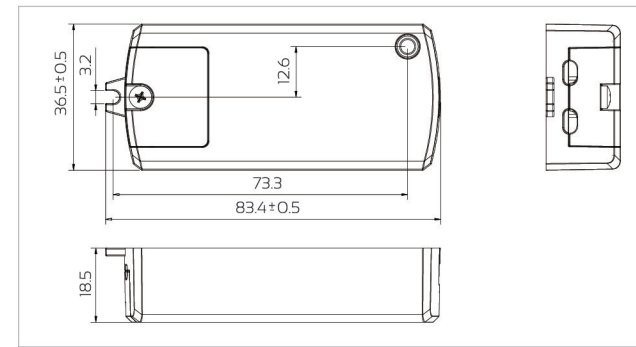


### Reliable Technical Data

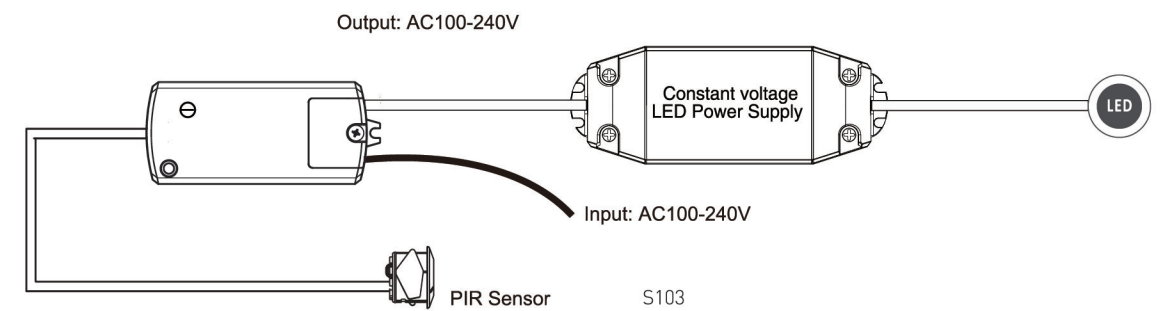
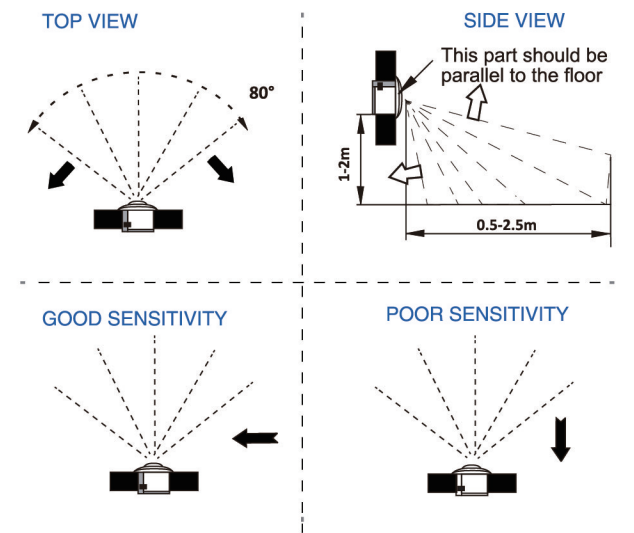
- Human-body detection sensor
- Detection range: Max. 2.5m
- Detection angle: 80°
- Detection time: 10sec-3min



### Dimension in mm



### Application



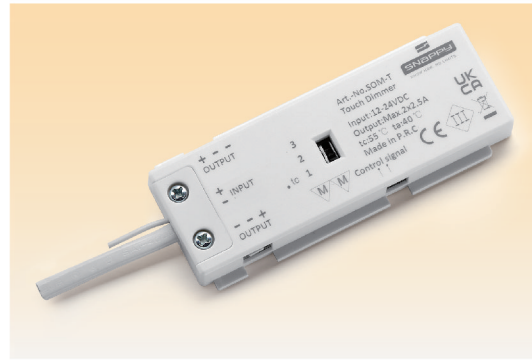
Model No.	Rated input voltage	Max.Load Power	Rated current	Standby Power Consumption	Ta	L x W x H
SIL-PIR	AC100-240V	250VA	Max.1A	<0.5W	-20-50°C	83.4x36.5x18.5





# Touch Sensor(Low Voltage)

## SOM-T/SOM-TB

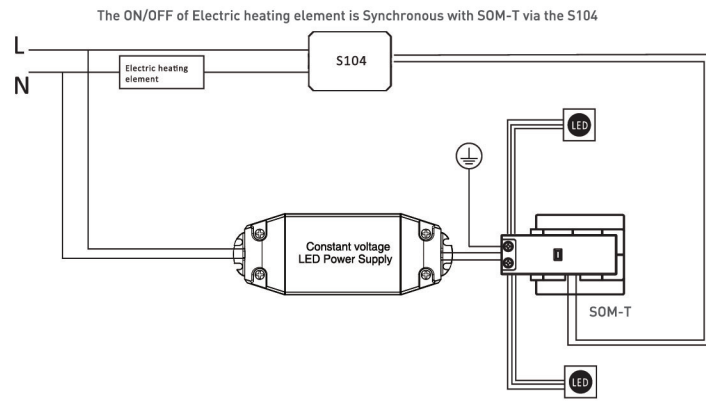
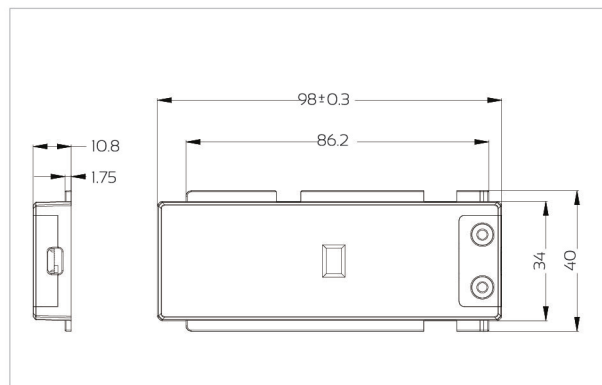


### Reliable Technical Data

- Touch sensor
- Used behind mirror
- Memory function

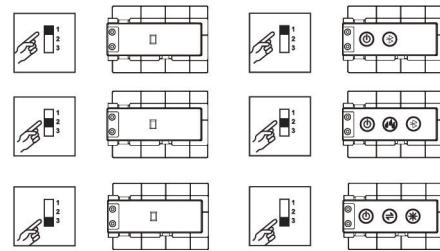
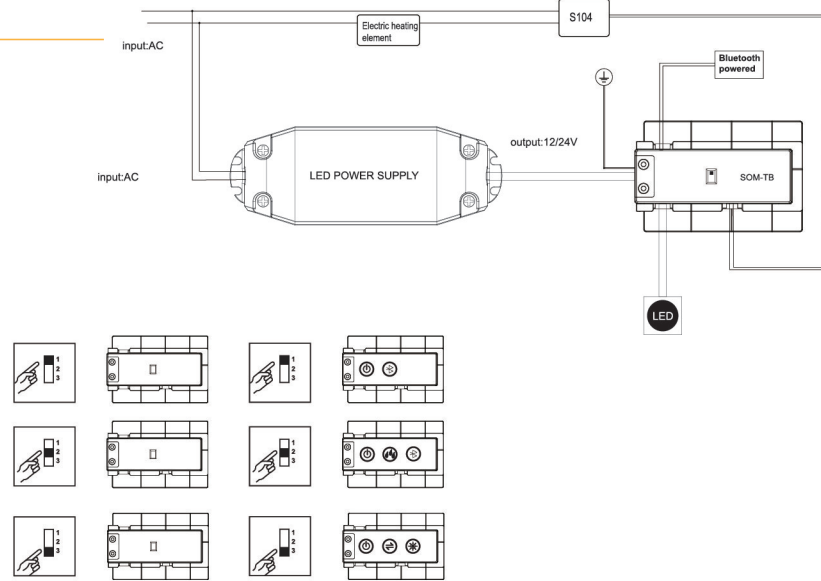


### Dimension in mm



### Function:

- 1** Short touch[ < 1s]: On/Off  
Long touch[ > 1s]: Dimming from 5%~100%
- 2** Short touch[ < 1s]: On/Off  
Long touch[ > 1s]: Dimming from 5%~100%
- 3** Short touch[ < 1s]: adjust CCT to cold white nature white, warm white  
Long touch[ > 1s]: adjust CCT from cold white to warm white
- 4** Short touch[ < 1s]: On/Off  
Short touch[ < 1s]: adjust CCT to cold white nature white, warm white  
Long touch[ > 1s]: adjust CCT from cold white to warm white
- 5** Short touch[ < 1s]: Dimming level 5%,30%,60%,100%  
Long touch[ > 1s]: Dimming from 5%~100%

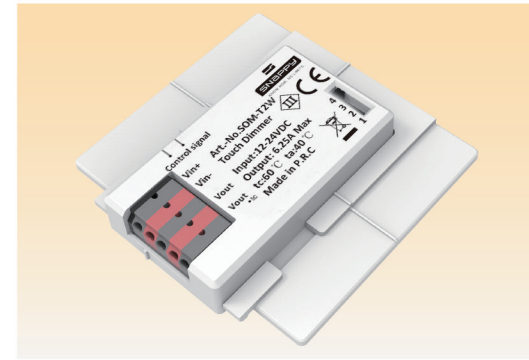


Model No.	Rated supply	Rated load	Thickness of mirror	Ta	L x W x H
SOM-T/SOM-TB	12V	2 x 30W	Less than 5mm is recommended	-20~40°C	98x40x10.8
	24V	2 x 60W		-20~40°C	98x40x10.8



## SOM-T1 / SOM-T2W

NEW!

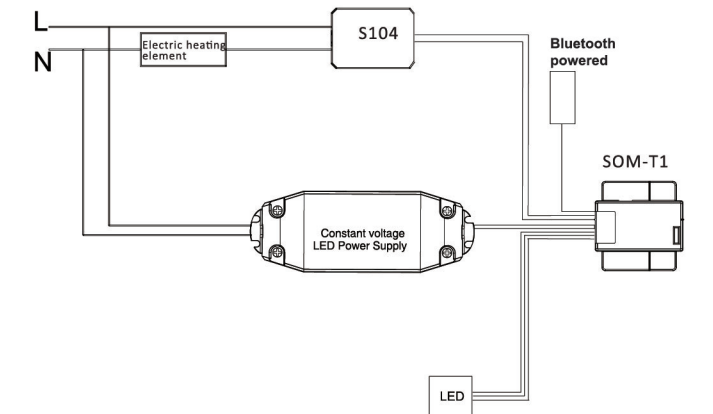
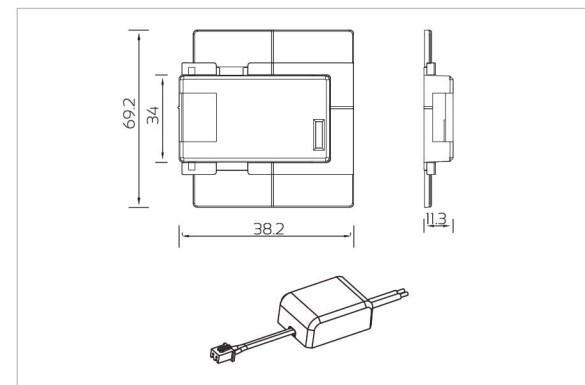


### Reliable Technical Data

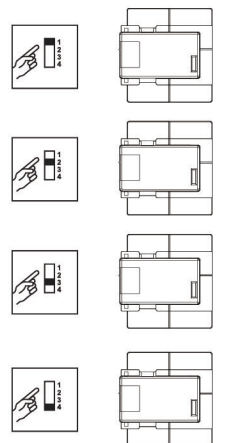
- Touch sensor
- Used behind mirror
- Memory function
- Single key touch



### Dimension in mm



Setting	Touch time	Function	Indicator
1	Touch time<1S	ON/OFF(LED1)	CW
	Touch time>1S	ON/OFF(LED2),power on	WW
2	Touch time<1S	ON/OFF	CW
	Touch time>1S	Dimming from 10%~100% continuously	CW
3	Touch time<1S	ON/OFF	CW(OFF)
	Touch time>1S	Softly and continuously CCT(2%~98%)	WW
4	Touch time<1S	ON/OFF	CW(OFF)
	Touch twice times <2S	Shift between dimming and CCT	Shift between C-W
	Touch time>1S	Dimming from 10%~100% continuously	CW
		Softly and continuously CCT(2%~98%)	WW



Model No.	Rated supply	Rated load	Thickness of mirror	Ta
SOM-T1	12V	75W	Less than 5mm is recommended	-20~40°C
	24V	150W		-20~40°C
SOM-T2W	12-24V	0-300W	Less than 5mm is recommended	45°C

Two Cables Only



# 2.4G Remote Controller

## SRC-2.4G01

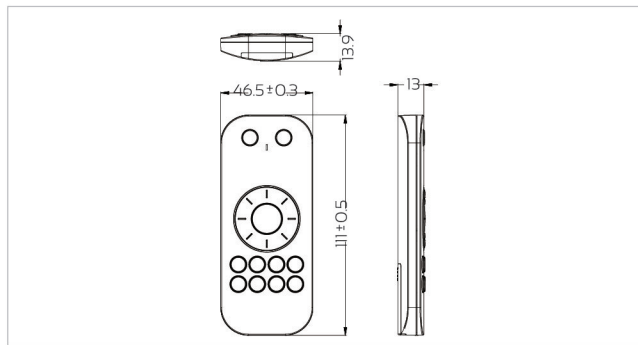


### Reliable Technical Data

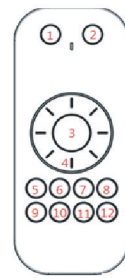
- Suitable for single-color LED controller
- Super Sensitive Ring Brightness Adjuster
- LED light indicator during operation
- Each controller can be paired with one or more remotes
- Powered by CR2032 button battery or equivalent
- 5 years Warranty
- Net weight 60g/pc, gross weight 100g/pc



### Dimension in mm



### Functions



- Key 1 All lights on
- Key 2 All lights off
- Key 3 Channel switch/channel dimming  
Rotate counterclockwise: darken the channel;  
Rotate clockwise: lighten the channel;
- Key 5 Channel 1 on/ off (long press)
- Key 6 Channel 2 on/ off (long press)
- Key 7 Channel 3 on/ off (long press)
- Key 8 Channel 4 on/ off (long press)
- Key 9 Scene 1 on/ save(long press)
- Key 10 Scene 2 on/ save(long press)
- Key 11 Scene 3 on/ save(long press)
- Key 12 Scene 4 on/ save(long press)

### Indicator status

During the operation, including press the button and rotate the ring, the indicator light is on.  
When the operation is stopped, the indicator light is off.  
If there is no operation after 3S, the remote will be in the sleep mode, and press any key to exit the sleep mode.

### Remote pairing

Users can choose two pairing/delete pairing methods  
1. Use the pairing key [key 5 - key 8]

Pair: Short press the pairing button of the controller, then the LED light flashes 5 seconds and automatically cuts off. Immediately short press one of the pairing keys (key 5-key 8) on the remote, and the LED indicator cuts off which means the successful pairing.  
Delete pairing: Long press the pairing button 5 seconds to delete all pairings. The LED indicator lights up for 1 second which means the pairing is deleted.

2. Use power-on

Pair: Within the first 5 seconds after the controller is powered on, immediately press one of the pairing keys (key 5-key 8) on the remote.  
Delete pairing: Long press the pairing button 5 seconds to delete all pairings. The LED indicator lights up for 1 second which means the pairing is deleted.

Model No.	Output signal	Working Voltage	Ta	Working current	Standby current	L x W x H
SRC-2.4G01	RF (2.4GHz)	3VDC(CR2032)	-20~25°C	≤4mA	≤1uA	111x46.5x13.9



## SNP75-2.4G

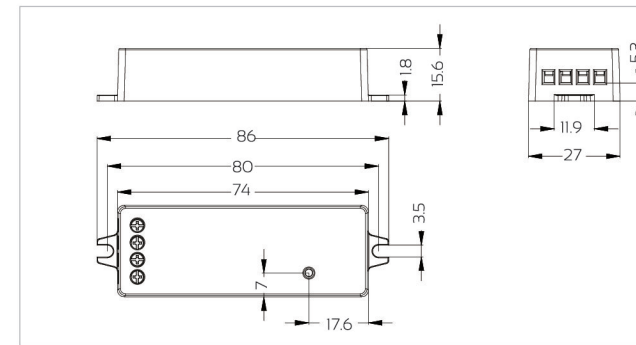


### Reliable Technical Data

- SNP75-2.4G is a 2.4G dimming controller, remote dimming control, can be grouped, divided into scenes and other functions, the input is universally used in the 12-24V power supply range. With overload, over temperature, short circuit protection, suitable for lighting series products.



### Dimension in mm



### Remote control pairing

Users can choose two pairing/deleting methods  
1. Use the pairing key [key 5 - key 8]

Pairing: Short press the pairing button of the controller, the LED flashes for 5 seconds and automatically goes off, immediately short press the key 5-key 8 on the remote control, and the LED indicator goes off to indicate successful pairing.  
Delete: Press and hold the controller pairing button for 5 seconds to delete all the pairings. The LED indicator will be on for 1 second to indicate successful deletion

2. Use power-on pairing

Pairing: within the first 5 seconds after the controller is powered on, immediately press the up key 5-key 8 on the remote control.  
Delete: Press and hold the controller pairing button for 5 seconds to delete all the pairings. The LED indicator will be on for 1 second to indicate successful deletion



Model No.	Output signal	Rated input voltage	Rated current	Ta	Tc	Max. distance	L x W x H
SNP75-2.4G	RF (2.4GHz)	DC12-24V	6.25A	-30~55°C	-80°C	≤ 30mm	86x27x15.6

